

## ACX Series • High Accuracy Current Transformers

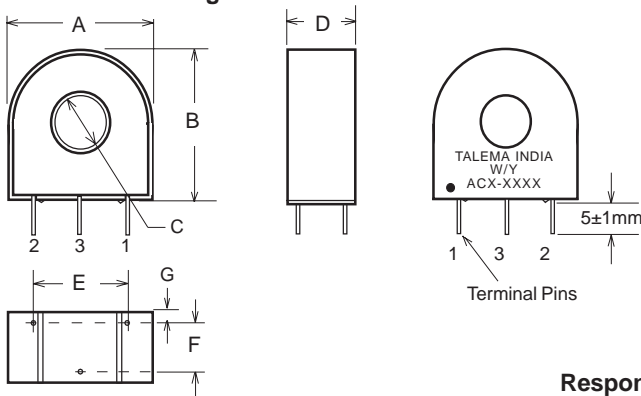
### Features

- Primary current range 50-150A
- 1% accuracy
- Operating frequency 50/60Hz
- Turns Ratio 2500 : 1
- Rated burden resistance 33 Ohms
- Dielectric withstand voltage 4KVrms
- Operating temperature range -40 to +85°C
- All Materials UL94V-0
- Manufactured in an ISO 9001:2008, ISO/TS 16949:2009 and ISO 14001:2004 certified Talema facility
- Fully RoHS & REACH Compliant

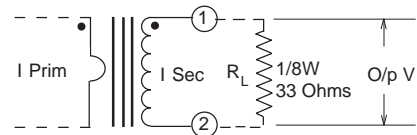


Electrical Specifications @ 20°C			Dimensions							
Part No.	Current Rating in Amps	Winding Resistance in Ohms	A	B	C	D	E	F	G	Pin Ø
ACX-1050	50	171	23.80	23.80	Ø9.50	11.12	15.24	7.62	1.75	Ø0.813
ACX-1075	75	227	30.20	30.20	Ø11.40	14.30	20.32	10.16	2.08	Ø1.016
ACX-1100	100	155	34.90	34.90	Ø14.60	14.30	25.40	10.16	2.08	Ø1.016
ACX-1150	150	135	38.10	38.10	Ø14.60	15.90	33.00	10.16	2.85	Ø1.016

### Mechanical Drawing



### Schematic



#### Notes:

- 1) Dimensional Unit: mm, Tolerance: ±0.25mm (Unless Specified)  
Pin Pitch Tolerance: ±0.10mm
- 2) Pin #3 for Mechanical Support.

### Response Curves

