



TE Connectivity

## CUSTOMER DATA

PART NO.

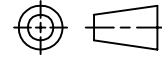
1432791-1

SHT. 1  
OF 2

DRAWN E.SIMPSON	APPROVAL B. TOEPFER	DATE FIRST_DRAWN 05-26-05	SCALE 1:1
--------------------	------------------------	------------------------------	--------------

CUSTOMER  
TYCO\_ELECTRONICS\_STANDARD

TOLERANCE            0.X = +/-  
UNLESS                0.XX = +/-  
SPECIFIED            0.XXX = +/-  
OTHERWISE            ANGLES = +/-



DO NOT SCALE THIS DRAWING

## CHANGES

REV.	DATE	CO	APP.
B	27APR2010	ECR-10-008018	B.T.
C	04OCT2016	ECR-16-014229	B.T.

NOT TO BE USED IN AUTOMOTIVE APPLICATIONS OR APPLICATIONS REQUIRING PPAP AND/OR IMDS DOCUMENTATION

ELECTRICAL CHARACTERISTICS: (ALL DATA APPLIES @ 23°C UNLESS OTHERWISE SPECIFIED)COIL DATA:

NOMINAL VOLTAGE:                    12 VDC  
OPERATE VOLTAGE:                    7.8 VDC MAXIMUM  
RELEASE VOLTAGE:                    1.2 VDC MINIMUM  
COIL RESISTANCE:                    90 OHMS +/- 10%  
OPERATE TIME:                        8 mSEC. MAXIMUM EXCLUDING BOUNCE  
RELEASE TIME:                        5 mSEC. MAXIMUM EXCLUDING BOUNCE  
TEMPERATURE RANGE:                OPERATING -40°C TO +85°C

CONTACT DATA: (CONTACT DATA IS FORMATTED N.O./N.C.)

CONTACT ARRANGEMENT:            1 FORM C (SPDT)  
CONTACT MATERIAL:                AgSnO (SILVER TIN-OXIDE)  
CONTACT MILLIVOLT DROP:        200mv @ 35A ON N.O. CONTACTS (AFTER SWITCHING)  
    250mv @ 20A ON N.C. CONTACTS (AFTER SWITCHING)  
MAXIMUM MAKE CURRENT:        90A/30A (LAMP) @ 16 VDC  
MAXIMUM BREAK CURRENT:        40A/30A @ 16 VDC RESISTIVE  
MAXIMUM CONTINUOUS CURRENT: 40A/30A @ 23°C , 35A/20A @ 85°C  
INITIAL BREAKDOWN CURRENT    500V RMS CONTACTS TO COIL

EXPECTED LIFE:                        100,000 OPERATIONS, 40 A, 14 VDC RESISTIVE ON NORMALLY OPEN CONTACT

MECHANICAL CHARACTERISTICS:

EXPECTED LIFE:                        10 MILLION OPERATIONS, NO CONTACT LOAD  
TERMINALS                              BRASS, UNPLATED



TE Connectivity

# CUSTOMER DATA

PART NO.

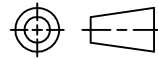
1432791-1

SHT. 2  
OF 2

DRAWN E.SIMPSON	APPROVAL B. TOEPFER	DATE FIRST_DRAWN 05-26-05	SCALE 1:1
--------------------	------------------------	------------------------------	--------------

CUSTOMER  
TYCO\_ELECTRONICS\_STANDARD

TOLERANCE      0.X = +/-  
 UNLESS          0.XX = +/-  
 SPECIFIED      0.XXX = +/-  
 OTHERWISE      ANGLES = +/-



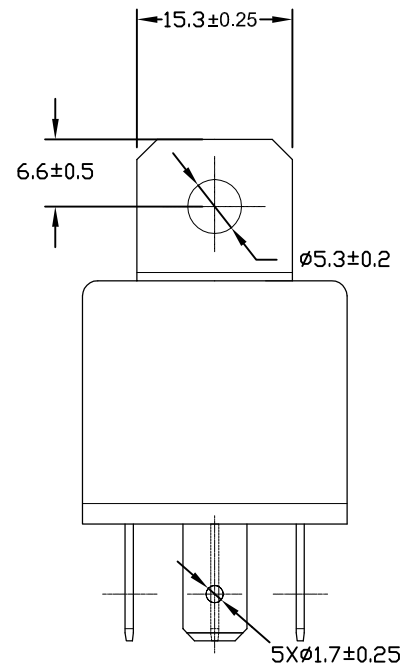
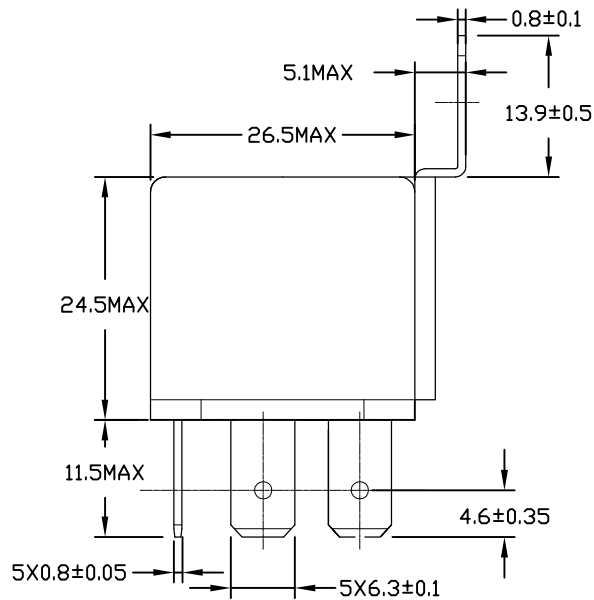
REV C

DO NOT SCALE THIS DRAWING

MILLIMETERS

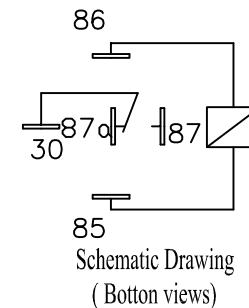
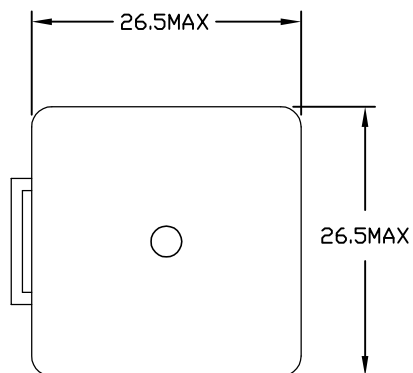
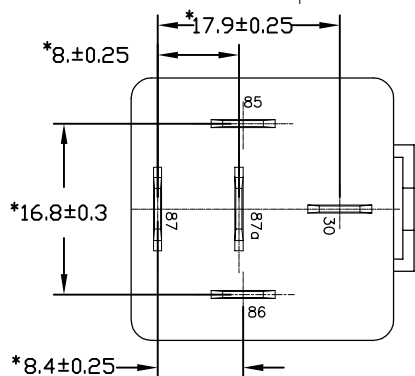
### MARKING TO INCLUDE:

TYCO ELECTRONICS NAME, TYCO ELECTRONICS PART NUMBER, SCHEMATIC, COIL VOLTAGE, COUNTRY OF ORIGIN, AND DATE CODE



\* TERMINAL LOCATIONS APPLY AT THE BASE OF THE TERMINALS

K Aspect



NOT TO BE USED IN AUTOMOTIVE APPLICATIONS OR APPLICATIONS REQUIRING PPAP AND/OR IMDS DOCUMENTATION