

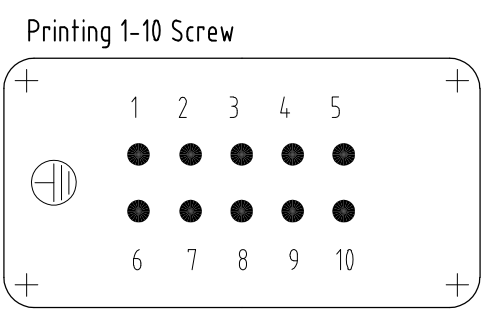
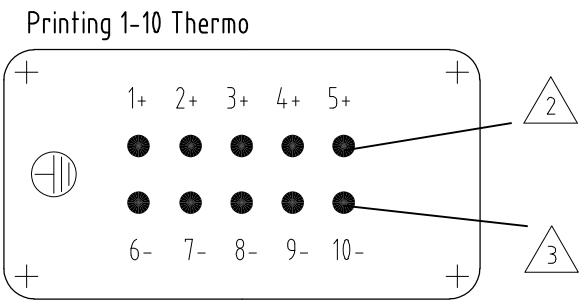
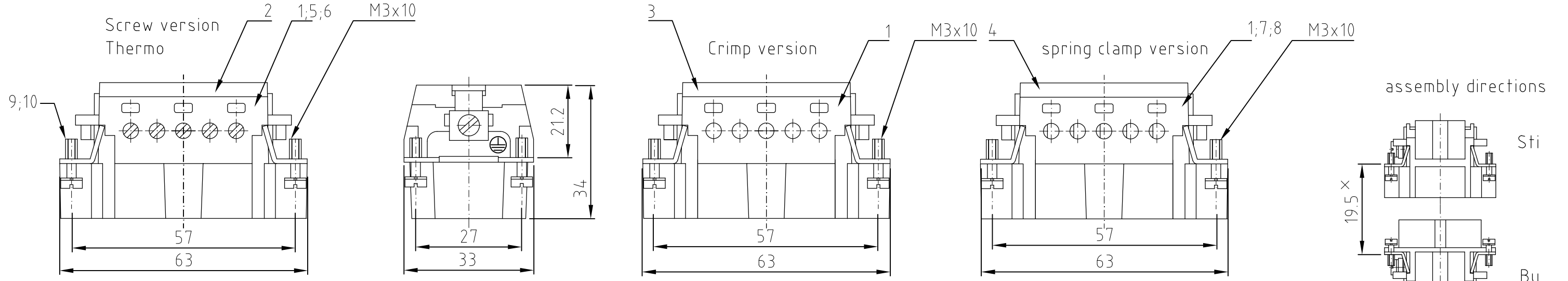
4

3

2

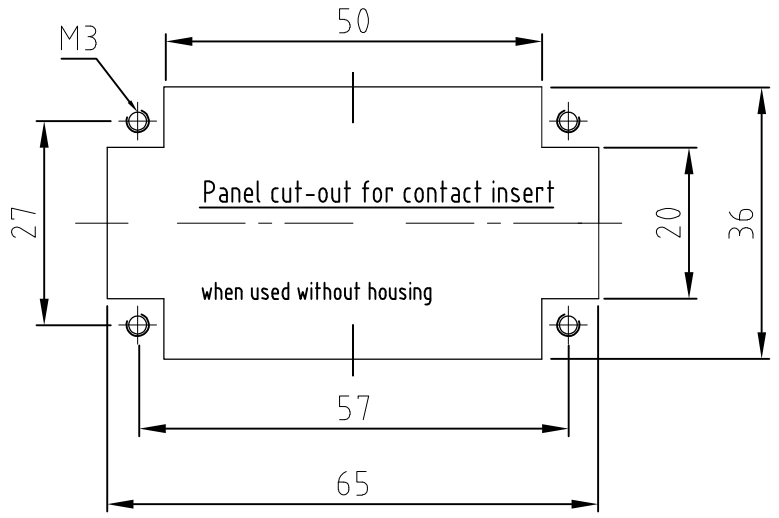
1

© COPYRIGHT 1998 BY AMP INCORPORATED. ALL RIGHTS RESERVED. ALLE RECHTE VORBEHALTEN.



- NOTES:
- 1 SUITABLE CRIMP CONTACTS: SERIES HE/HA OUTER DIMENSIONS OF INSULATION: MAX. Ø3,2 MM
 - 2 SUITABLE HOOD SIZE 4: SERIES HB, HD, HIP, EMV SUITABLE INSERTION AND EXTRACTION TOOL: SCREWDRIVER 0,5x3 DIN 5264
 - 3 Strip length: Screw conection 10mm Spring clamp conection 10mm Crimp conection 7.5mm
 - 4 STANDARDS: DIN EN 61984; DIN EN 60664-1
 - 5 PACKAGING: 5 SETS IN A CARTON, PRE-MOUNTED
 - 6 SPECIAL PACKAGING: Krauss-Maffei PACKAGING UNIT: 250 PIECES

		4						fixing screw	stainless steel	even		10	M3x10
4	4	4	4	4	4	4	4	fixing screw	steel	nickel plated	blue	9	M3x10
10								contact spring clamp	brass	gold plated		8	
			10					contact pin	brass	silver plated		7	
			10					contact screw termination	brass	gold plated		6	
	10	10					10	contact screw termination	brass	silber plated		5	
1				1				cover spring version			light grey	4	
					1			cover crimp version			light grey	3	
	1	1	1		1	1		cover screw version			light grey	2	
1	1	1	1	1	1	1	1	pin insert			light grey	1	
0-3	0-2	0-1	9-5	7-1	2-3	1-7	1-1	DESCRIPTION / BENENNUNG	MATERIAL	SURFACE	COLOR	ITEM NO. POS.	NOTES



ORDERING TEXT / BESTELLTEXT

THIS DRAWING IS A CONTROLLED DOCUMENT FOR AMP INCORPORATED. IT IS SUBJECT TO CHANGE AND THE CONTROLLING ENGINEERING ORGANIZATION SHOULD BE CONTACTED FOR THE LATEST REVISION. DIESES ZEICHNUNGSDOKUMENT WIRD DURCH AMP INCORPORATED KONTROLLIERT. AENDERUNGEN, DIE DEM TECHNISCHEN FORTSCHRITT DIENEN, SIND VORBEHALTEN. DEN JEWEILS LETZTGUELTIGEN AENDERUNGSSTAND ERFAHREN SIE AUF ANFRAGE.

DIMENSIONS: DIMENSIONEN: mm

TOLERANCES UNLESS OTHERWISE SPECIFIED: ALLGEMEINTOLERANZEN

ISO 8015

D. ISO 2768 - mH - E

D. DIN 16901 - 14.0

0 PLC #

1 PLC #

2 PLC #

3 PLC #

ANGLES / WINKEL #

FINISH / OBERFLAECHE / FARBE

DWN Gräf 10.02.1999

CHK Schweiger 18.02.1999

APVD -

PRODUCT SPEC PRODUKTSPEZ. -

APPLICATION SPEC VERARBEITUNGSSPEZ. -

WEIGHT GEWICHT -

CUSTOMER DRAWING / KUNDENZEICHNUNG

SCALE MASSSTAB 1:1

SHEET BLATT 1 OF 1 VON 1

REV. A6

HTS Elektrotechnik 53819 Neunkirchen, Germany

Male insert HE.10.STI.S/C

SIZE A3 CAGE CODE 00779 DRAWING NO. ZEICHNUNGS-NR. 1103636 RESTRICTED TO NUR FUER -