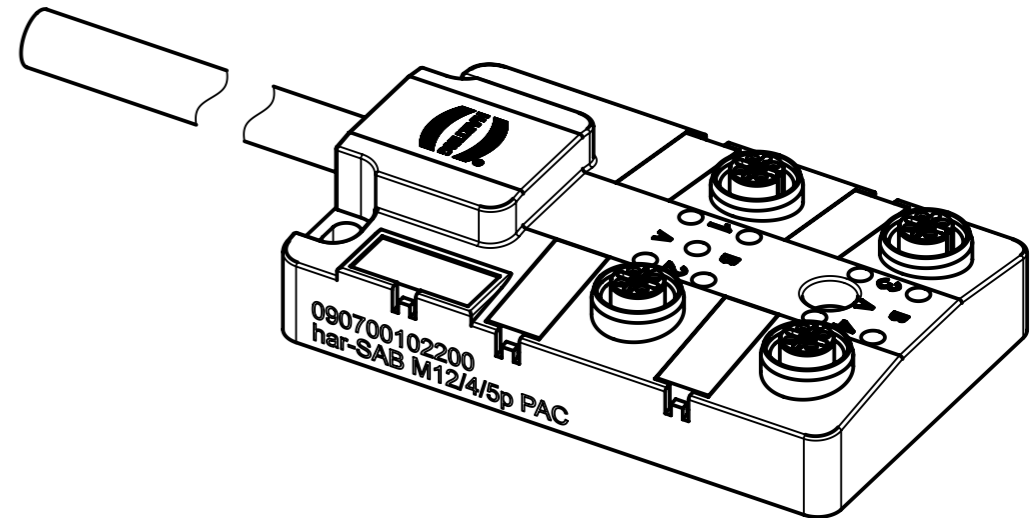
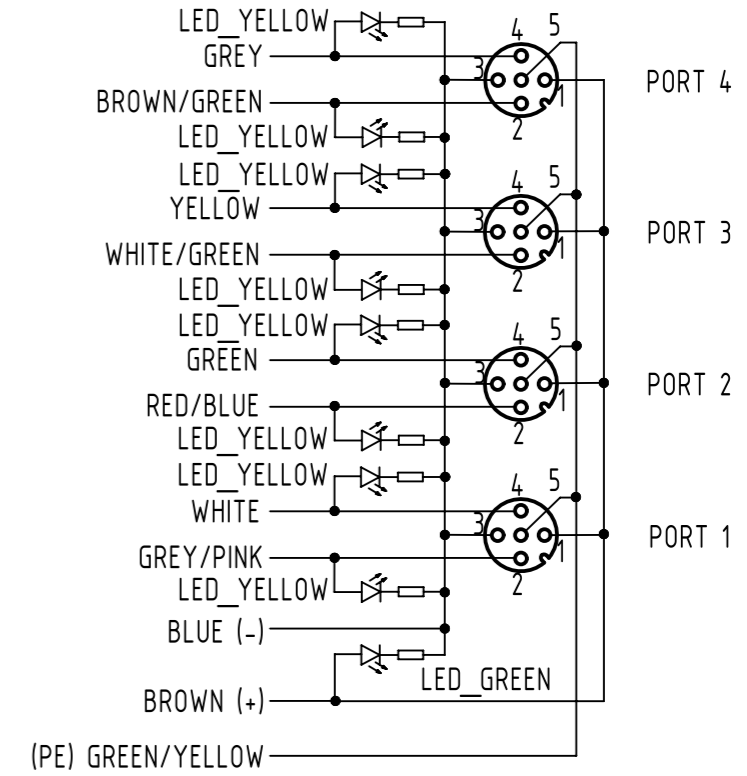


10-30 V (DC)
max. 2A pro Kanal/ 12A gesamt
max. 2A per channel/ 12A total

Kontaktbelegung / Wiring diagram	Steckplatz M12 outlets M12	Kontakt contact	Ader Farbkennung colour coding
1	1	4	weiß WH
2	2	4	grün GN
3	3	4	gelb YE
4	4	4	grau GR
1	1	2	grau/rosa GYPK
2	2	2	rot/blau RDBU
3	3	2	weiß/grün WHGN
4	4	2	braun/grün BNGN
1-4	1-4	1	braun (+) BN (+)
1-4	1-4	3	blau (-) BU (-)
1-4	5	1	grün-gelb (PE) GNYE

Loading plan



- Protection level: IP 68
- Temperature range: -20°C...+80°C

Electrical data:
-Rated voltage: 10-30V DC
-Nominal: 2 A per Contact
-Current: 4 A per Outlet
12 A max total

PUR, max. 16x0.34 + 3x1	10
Type of cable	Dim. a[m]

	All rights reserved	Created by	Inspected by	Standardisation	Date	State
	Department HCS - RO	MUNTEANV	POPESCU	AVRAM	2017-04-24	Final Release
HARTING Customised Solutions		Title		Doc-Key / ECM-Nr.		Page
D-32427 Minden		har-SAB M12/4/5p PAC		100689641/UGD/000/C 500000118440		
		Type	Number	Rev.		1/1
		TB	090700102200	C		