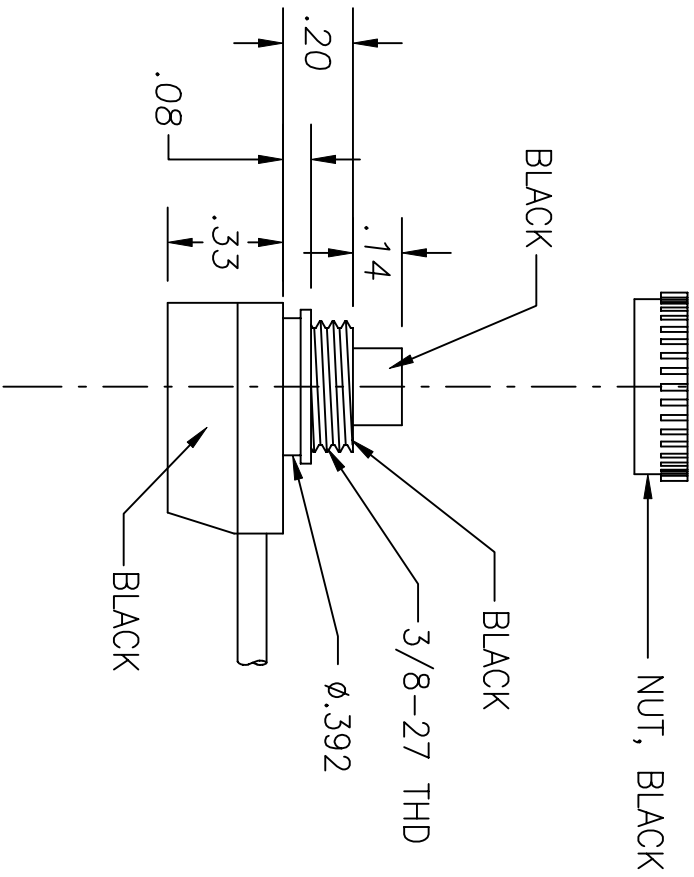
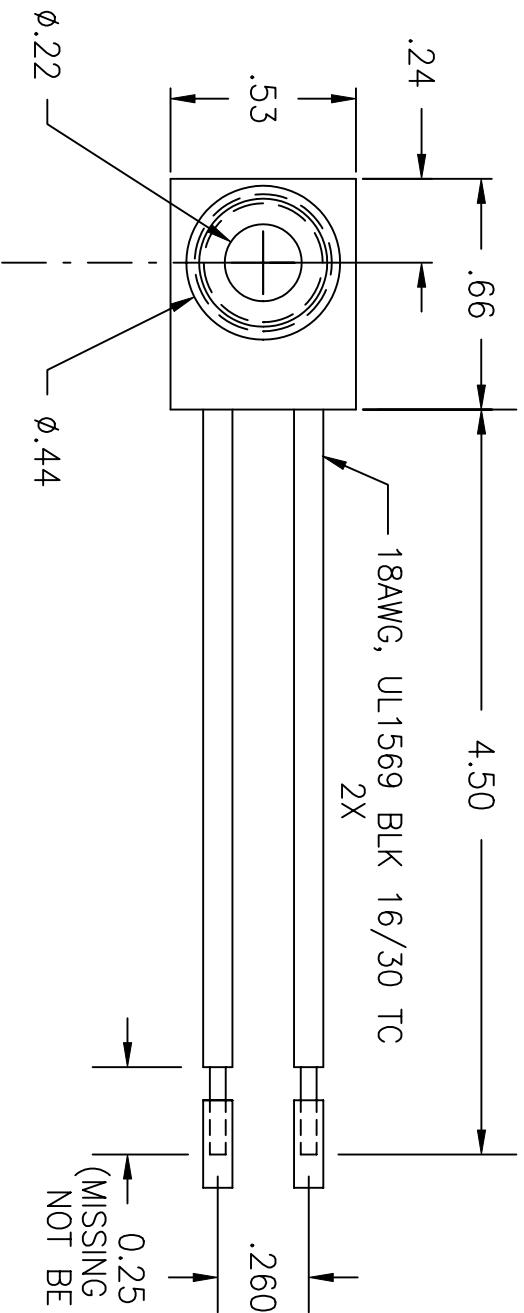


LTR	EN	DESCRIPTION	APPR	BY	DATE
A	-	INITIAL RELEASE	RB	DC	09-18-06



JUDCO INVENTORY NO. 40-4521-00
 SWITCH TYPE: PUSH ON-PUSH OFF, SPST
 UL ELECTRICAL RATING: 125 VAC, 6A
 UL TEMPERATURE RATING: 65°C
 NUTS PACKED SEPARATELY.

CUSTOMER: DIGI-KEY
 CUSTOMER PN: TBD
 ACCEPTED BY: _____
 DATE: _____

DIMENSIONS IN INCHES DIMENSIONS ARE REFERENCE		
TITLE HARBOR CITY CALIFORNIA		
DRAWN: DC	09-18-06	OUTLINE J-188B-1 ULAC WIRES
APPR: KJ	09-18-06	
DWG. NO. 1415-1022		SHEET 1 OF 1
1415U1022A.DWG		

This document embodies a product, component, and/or design proprietary to JUDCO MANUFACTURING INC., and which is protected either as a trade secret, by U.S. Patent, or by copyright. It may not be used in any way without written express consent of JUDCO MANUFACTURING INC.