

# ConBee

## Data sheet

- can be combined with the dresden elektronik software deCONZ and used as ZigBee Gateway
- luminaires from OSRAM and Philips can be integrated and controlled
- alternative bootloader applications such as ZigBee Sniffer Bitcatcher possible (only up to MS Win7)



### Technical Data



#### Electrical specifications

Rated voltage	DC 5.0 V (USB 2.0)
Transmission power	max. 10 mW
Radio standard	IEEE 802.15.4
Flash storage	256 kByte



#### Environmental information

Storage temperature	-20 °C - 55 °C
Operating temperature	-20 °C - 55 °C



#### Compatibility

Protocol	ZigBee
Profile	ZigBee Pro
Supported operating systems	MS Win7 / 8.1 / 10, Linux

### Particular markers

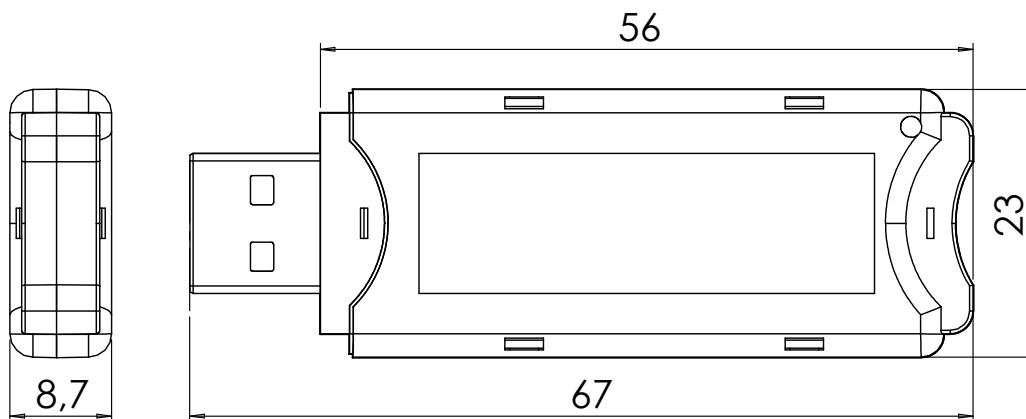


## Further information

This product contains FCC-ID: XVV-MEGA23M12.

Hereby, dresden elektronik ingenieurtechnik gmbh declares that the radio equipment type ConBee is in compliance with directive 2014/53/EU. The full text of the EU declaration of conformity is available at the following internet address: [www.dresden-elektronik.de](http://www.dresden-elektronik.de)

## Dimensions in mm



## Scope of delivery

ConBee

BN-600090

## Contact

dresden elektronik ingenieurtechnik gmbh  
Enno-Heidebroek-Str. 12  
01237 Dresden | Germany

Tel: +49 351 31850-0 Fax: -10  
[wireless@dresden-elektronik.de](mailto:wireless@dresden-elektronik.de)  
[www.dresden-elektronik.de](http://www.dresden-elektronik.de)