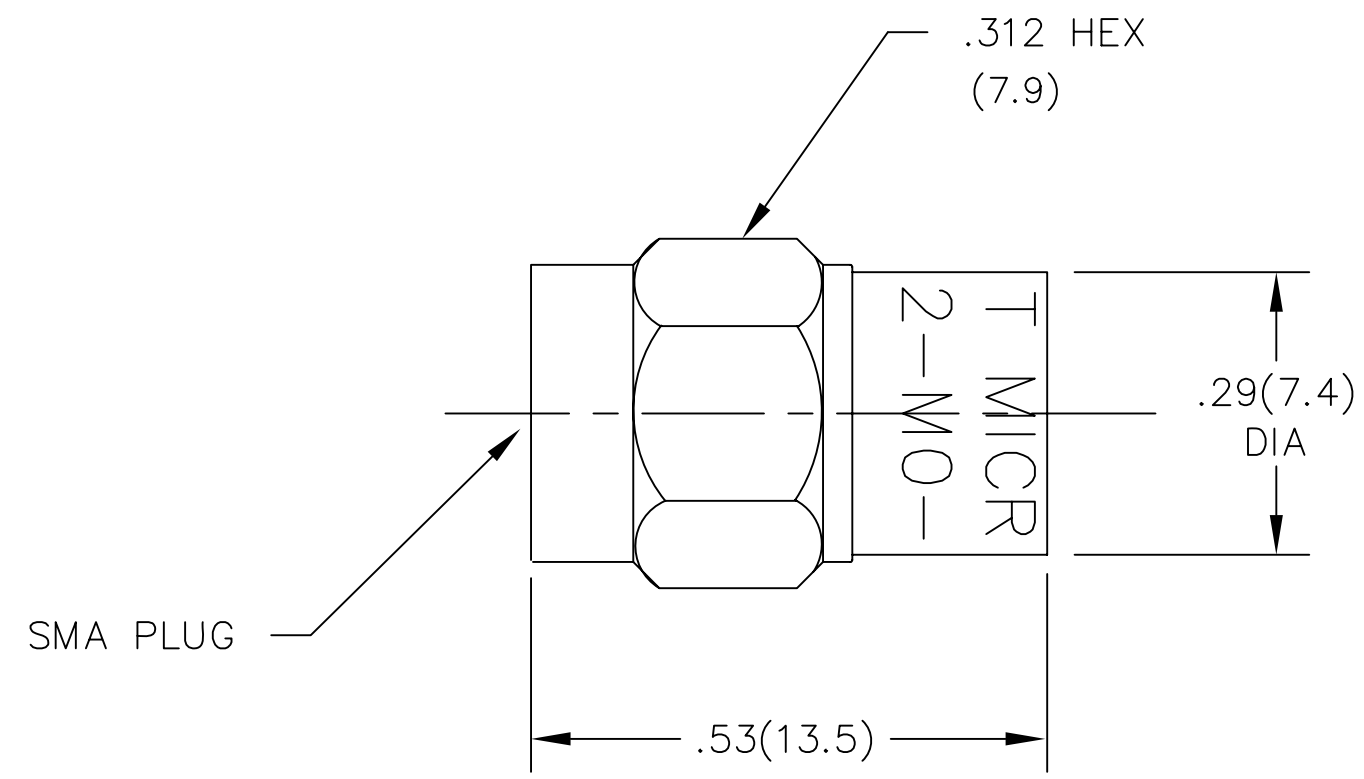


NOTES:

- 1.0 MATERIAL:
 - 1.1 HOUSING AND COUPLING NUT: STAINLESS STEEL PER QQ-S-764 AND ASTM-A-582, TYPE 303.
- 2.0 FINISH:
 - 2.1 HOUSING AND COUPLING NUT: PASSIVATED PER QQ-P-35 AND MIL-F-14072.
- 3.0 DIMENSIONS IN PARENTHESIS ARE MILLIMETERS.
- 4.0 MARK UNIT AS SHOWN.
(REF: INK-09154-27-04)



REV.	DESCRIPTION	DATE
-	RELEASED	10/1/92
A	ECN 13044	10/26/93
A1	ADDED TITLEBLOCK	7/14/05

UNLESS OTHERWISE NOTED DIMENSIONS ARE IN INCHES AND TOLERANCES ARE: 3 PLACE DECIMALS ±.005 2 PLACE DECIMALS ±.02 FRACTIONS ±1/64 PARALLELITY: T.I.R. _____ FLATNESS: T.I.R. _____ CONCENTRICITY: T.I.R. _____ ANGLES AND PERPENDICULARITY: ±1°	FSCM NO. 34078	MIDWEST MICROWAVE	
	NOTICE: The information contained in this drawing is proprietary and must not be used without the permission of Midwest Microwave		TITLE SMA PLUG OPEN CIRCUIT
	DRAWN/DATE A.BEATTY 9/22/92	ENG./DATE G.KOZAK 10/1/92	DRAWING NUMBER OPN-2182-MO-SMA-02
	CHECKED/DATE M.HOLLMAN 9/25/92	APPROVED/DATE	SCALE: 5=1 SHEET 1 of 1