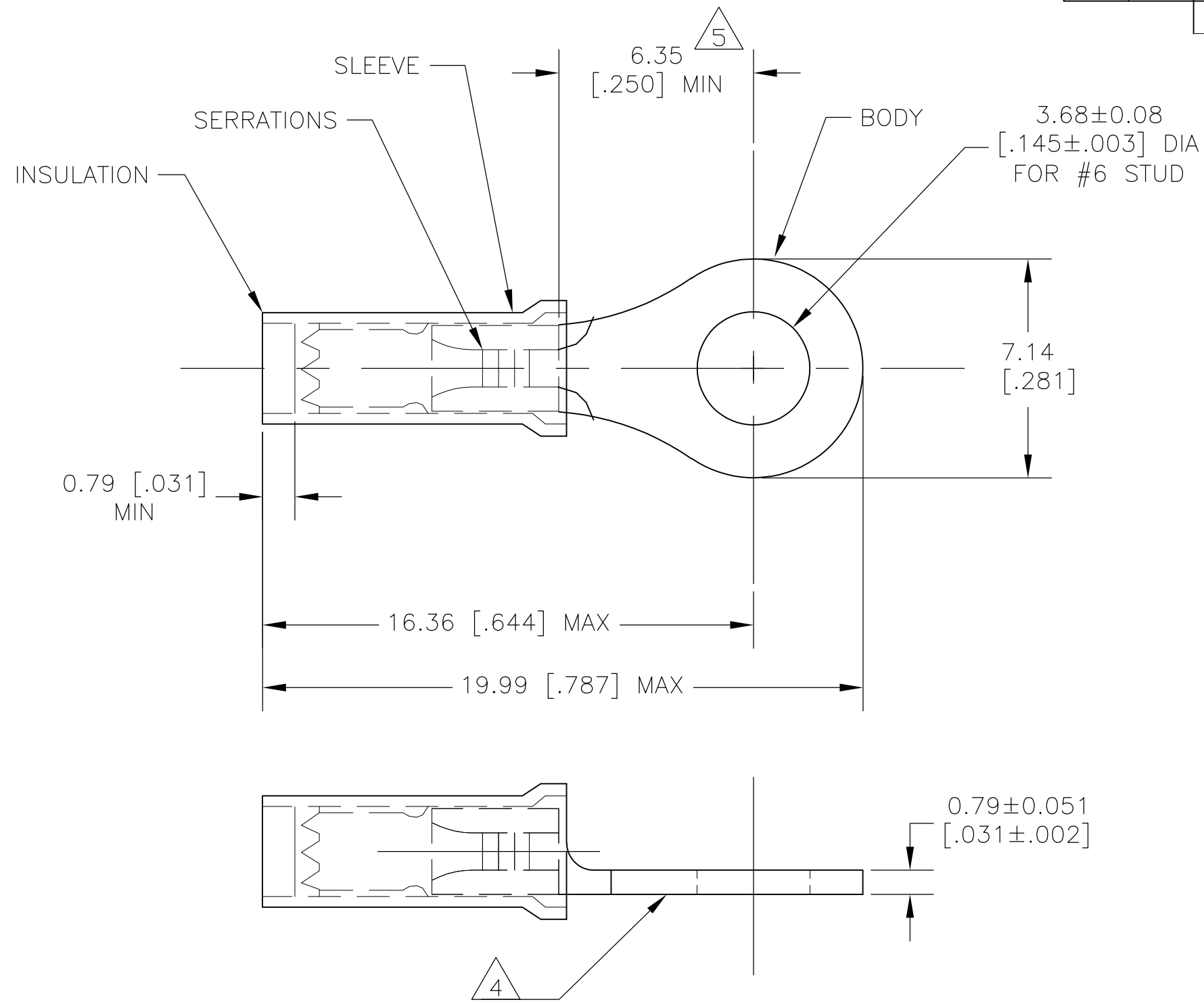


THIS DRAWING IS UNPUBLISHED. RELEASED FOR PUBLICATION  
 © COPYRIGHT BY TYCO ELECTRONICS CORPORATION. ALL RIGHTS RESERVED.

| LOC | DIST | REVISIONS |     |                           |         |     |      |
|-----|------|-----------|-----|---------------------------|---------|-----|------|
| G   | 86   | P         | LTR | DESCRIPTION               | DATE    | DWN | APVD |
|     |      | E1        |     | REVISED PER ECR 07-018343 | 06AUG07 | JR  | TM   |



- $\triangle 1$  BODY - COPPER PER ASTM B152 ANNEALED  
SLEEVE - COPPER PER ASTM B152  
INSULATION - NYLON
- $\triangle 2$  BODY & SLEEVE - TIN PLATED  
INSULATION - COLOR - PURPLE
- 3 FOR 1.14-2.03 [.045-.080] DIA WIRE INSULATION
- $\triangle 4$  STAMP AMP 20, APPROX WHERE SHOWN.
- $\triangle 5$  APPLIES FROM EDGE OF METAL WIRE BARREL TO CENTERLINE OF STUD HOLE.
- 6 0.41-0.65mm<sup>2</sup> [810-1,290] CMA SOLID OR STRANDED

|      |                |          |
|------|----------------|----------|
| 1000 | LOOSE PIECE    | 152895   |
| QTY  | PACKAGING TYPE | PART NO. |

|  |                           |                                 |   |                    |
|--|---------------------------|---------------------------------|---|--------------------|
| THIS DRAWING IS A CONTROLLED DOCUMENT.   |                           | DWN<br>jr_ruth<br>06AUG07       | Tyco Electronics Corporation<br>Harrisburg, PA 17105-3608 |                    |
| DIMENSIONS:<br>MM [ INCHES ]   |                           | CHK<br>T MICHELUTTI<br>30AUG07  | NAME<br>RING TONGUE, PIDG                                 |                    |
| TOLERANCES UNLESS OTHERWISE SPECIFIED:   |                           | APVD<br>T MICHELUTTI<br>30AUG07 | PRODUCT SPEC<br>-   |                    |
| 0 PLC $\pm$ -<br>1 PLC $\pm$ -<br>2 PLC $\pm$ -<br>3 PLC $\pm$ 0.38 [.015]<br>4 PLC $\pm$ -<br>ANGLES $\pm$ 5° |                           | APPLICATION SPEC<br>-           |   |                    |
| MATERIAL<br>- $\triangle 1$  | FINISH<br>- $\triangle 2$ | WEIGHT<br>-                     | SIZE<br>A3  | CAGE CODE<br>00779 |
| CUSTOMER DRAWING   |                           |                                 | DRAWING NO<br>C-152895                                    | RESTRICTED TO<br>- |
| SCALE<br>6:1   |                           |                                 | SHEET<br>1 OF 1   | REV<br>E1          |