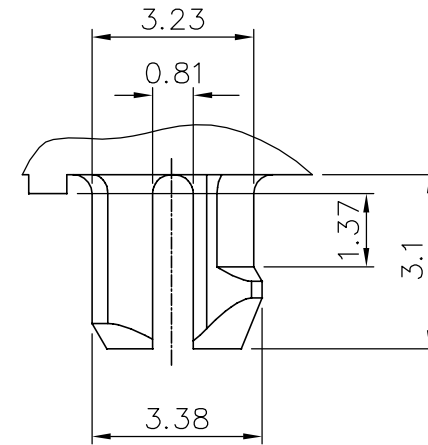
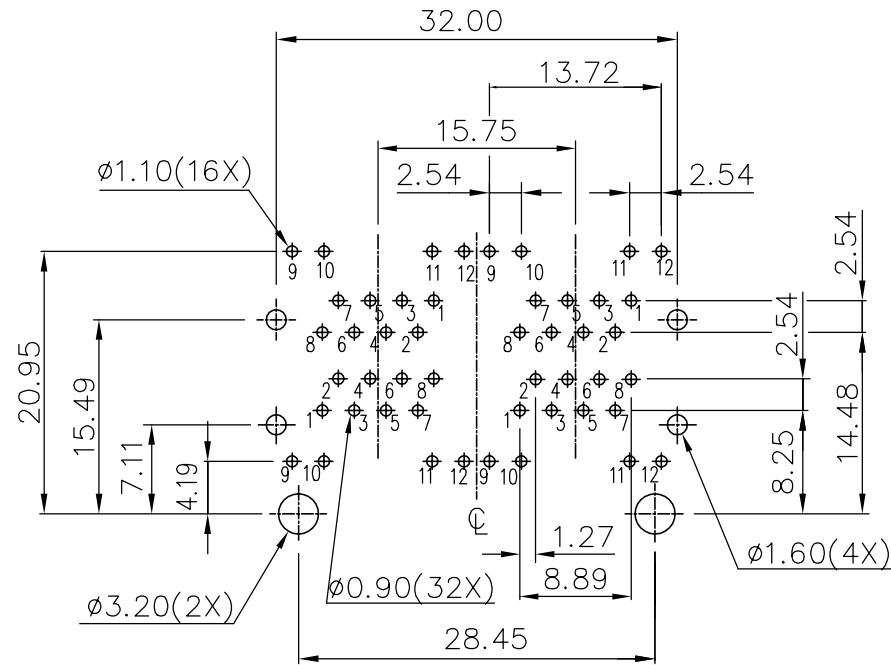


mat'l. code		surface ASME Y14.5 ✓		tolerance ASME Y14.5		projection		product family	
ltr		ecn no		dr		date		tolerances unless otherwise specified	
A		WL		11/04/11				GANGED MJACK	
				angles		X.X±0.25		title	
				X°±1'		X.XX±0.13		CAT 3 MULTIPORT STACKED	
				dr		WENDY CHEN 05/11/11		2x2 WITH SHIELD, W/LED	
				enr		WENDY CHEN 05/11/11		dwg no	
				chr		WENDY CHEN 05/11/11		sheet 1 of 3	
				appd		GARY HSIEH 05/11/11		size	
								A4	
sheet index		revision sheet		A		A		type	
		1 2		A		3		CUSTOMER Drawing	





DETAIL X

RECOMMENDED PCB LAYOUT
 RECOMMENDED PCB THICKNESS: 1.6mm
 TOLERANCE: ±0.05 (TOP VIEW)



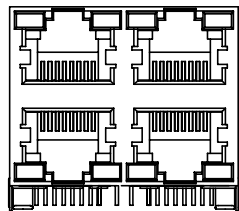
mat'l. code		surface ASME Y14.5 ✓		tolerance ASME Y14.5		projection [Symbol]		product family GANGED MJACK	
ltr		ecn no		dr		date		title CAT 3 MULTIPORT STACKED 2x2 WITH SHIELD, W/LED	
A								sheet 2 of 3	
		angles		X.X±0.25		MM [INCH]		size A4	
		X*±1*		X.XXX±0.13		scale		dwg no 10118076	
		dr		WENDY CHEN		05/11/11		type CUSTOMER Drawing	
		enr		WENDY CHEN		05/11/11		FCI	
		chr		WENDY CHEN		05/11/11			
		appd		GARY HSIEH		05/11/11			
sheet index		revision sheet							

NOTE:

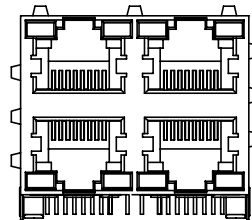
1. MATERIAL:
TOP HOUSING: HIGH TEMPERATURE THERMOPLASTIC, UL94V-0,COLOR: BLACK.
BOTTOM HOUSING: HIGH TEMPERATURE THERMOPLASTIC, UL94V-0,COLOR: BLACK.
CONTACTS: COPPER ALLOY.
SHIELD: COPPER ALLOY.
LED SOLDER TAIL: STEEL.
2. FINISH:
CONTACTS: 50u" MIN. NICKEL UNDER PLATED OVER ALL.
SELECTIVE GOLD PLATED ON CONTACT AREA,
1u" GOLD PLATED ON SOLDER TAIL.
LED SOLDER TAIL: 100u" MIN. BRIGHT TIN OVER
50u" NICKEL UNDER PLATED.
SHIELD: 20u" MIN. NICKEL OVER ALL.
3. LASER MARK FCI LOGO ON THE TOP OF SHIELD.
4. "DATE CODE" DESCRIPTION:
XX XX
WEEK
YEAR (EX. : 10--2010)
5. PRODUCT PERFORMANCE PER SPEC. : GS-12-0990.
6. PACKING SPEC. : GS-14-2170.
7. THIS PRODUCT MEETS THE EUROPEAN UNION DIRECTIVE AS DESCRIBED IN GS-22-008.
8. THE HOUSING WILL WITHSTAND EXPOSURE TO 260°C PEAK TEMPERATURE FOR 5 SECONDS IN A WAVE SOLDER APPLICATION WITH A CIRCUIT BOARD.

9. PART NUMBER DESCRIPTION:

- 10118076-X X X X X X X LF
- LEAD FREE
 - 0 : RESERVED (NOT USED)
 - PACKAGING
1 : TRAY
 - OPTIONAL BACK SHIELD TAB
0 : WITHOUT BACK SHIELD TAB
 - OPTIONAL RIGHT / LEFT SHIELD TAB
B : SHIELD TAB WITHOUT INNER SHIELD
 - OPTIONAL PANEL GROUND
0 : WITHOUT PANEL GROUND
3 : TOP/RIGHT/LEFT 3 SIDES WITH PANEL GROUND
 - LED COLOR
1 : LED1: GREEN / LED2: YELLOW
2 : LED1: YELLOW / LED2: GREEN
3 : LED1: GREEN / LED2: GREEN
 - CONTACT AREA PLATING
1 : 15u" GOLD PLATING
2 : 30u" GOLD PLATING
5 : 1u" GOLD FLASH PLATING



10118076-XX0XXXXLF
(WITHOUT PANEL GROUND)



10118076-XX3XXXXLF
(3 SIDES PANEL GROUND)

mat'l. code		surface ASME Y14.5 ✓	tolerance ASME Y14.5	projection ⊕	product family GANGED MJACK
ltr	ecn no	dr	date	tolerances unless otherwise specified	title CAT 3 MULTIPOST STACKED 2x2 WITH SHIELD, W/LED
A				angles X.X±0.25 X.XX±0.13 X*±1*	
				scale MM [INCH]	dwg no 10118076 sheet 3 of 3 size A4
				dr WENDY CHEN 05/11/11 enr WENDY CHEN 05/11/11 chr WENDY CHEN 05/11/11 appd GARY HSIEH 05/11/11	
sheet index	revision sheet				type CUSTOMER Drawing