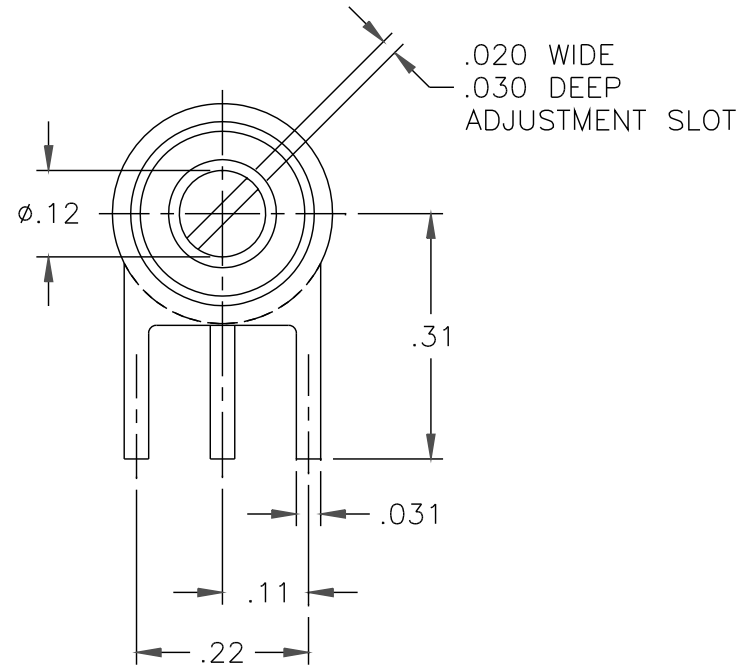
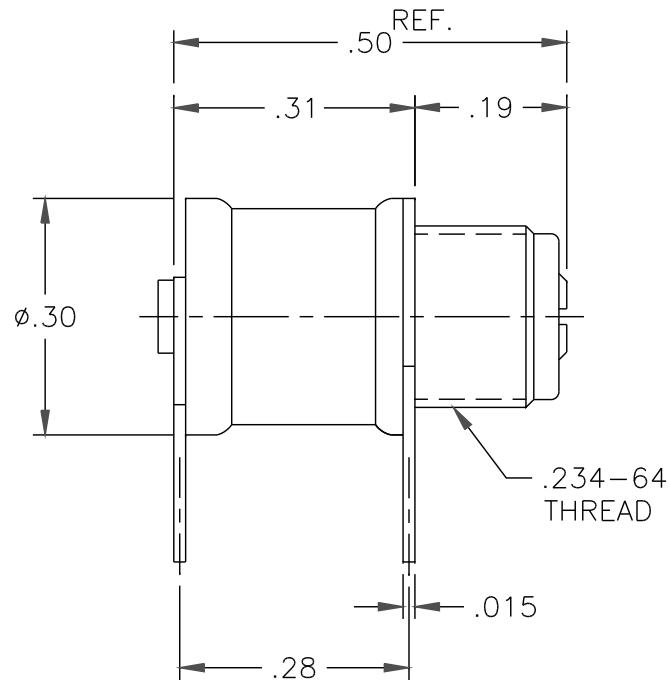


DATE	SYM	REVISION	RECORD	AUTH	DR	CK
11/23 09	A	NOTE 4: 3000	WAS 2000		AS	AG



NOTES:

1. CAPACITANCE RANGE, pF: 1.0 TO 14.0
2. DC WORKING VOLTAGE AT 14.0 pF: 125 VDC.
3. DC WITHSTANDING VOLTAGE AT 14.0 pF: 250 VDC.
4. Q FACTOR AT 100 MHz AND 14.0 pF: 3000
5. INSULATION RESISTANCE:  $10^6$  MEGOHMS AT 25°C
6. TEMPERATURE COEFFICIENT:  $50 \pm 50$  PPM/°C.
7. OPERATING TEMPERATURE: -65°C TO +125°C
8. TUNING TORQUE: 0.5 TO 5.0 IN-OZ
9. ROTATIONAL LIFE: 10,000 TURNS
10. VIBRATION: 50g AT 10-2000 Hz
11. SHOCK: 1500g, 0.5 MILLISECS.

TOLERANCES (EXCEPT AS NOTED)	VOLTRONICS CORPORATION 100 FORD RD. DENVER N.J.		
DECIMAL XXX $\pm .005$ XX $\pm .016$	SCALE 4 : 1	DRAWN BY A.SHTABNAYA	
FRACTIONAL -	TITLE OUTLINE DWG. AP14	APPROVED BY A.GOLDBERG	
ANGULAR -	DATE 8/19/09	DRAWING NUMBER 70,575	REV.A