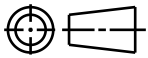


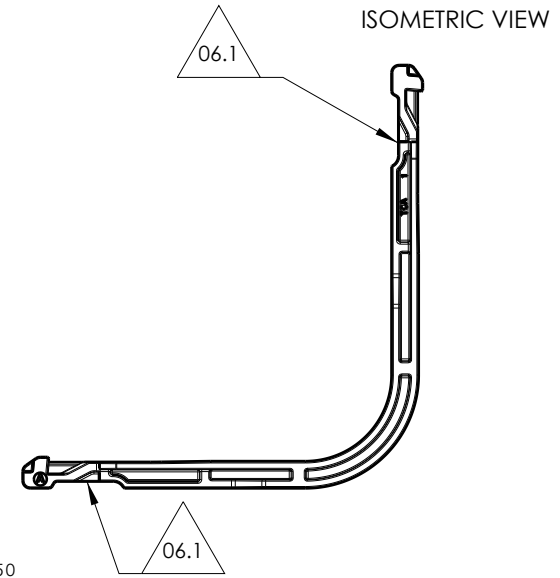
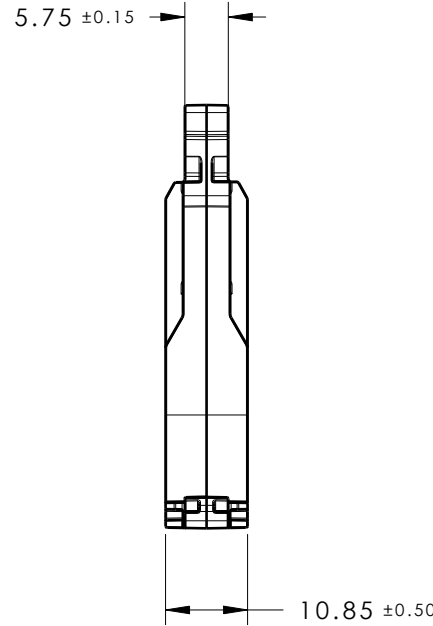
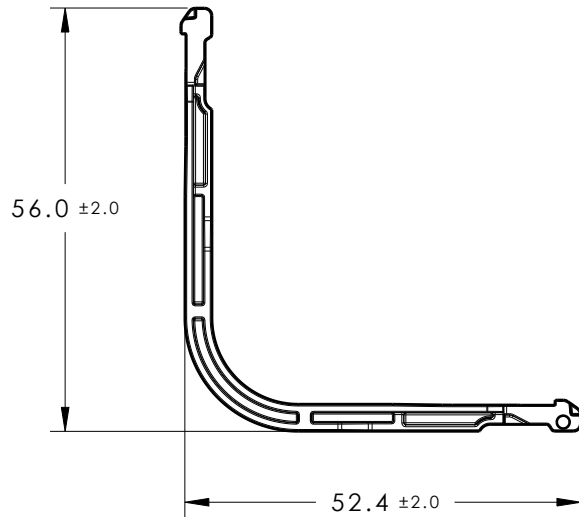
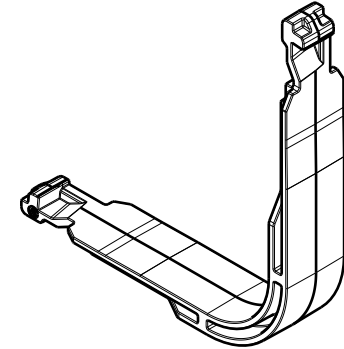
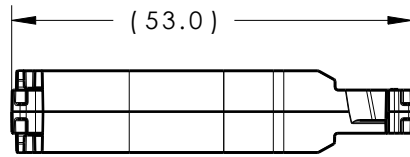
CATIA V5



Revision Level			Revision Record	Changed	Date	Approved	Date
Drawing	State	Part					
06.1	Design Release	A	SEE ECN# 012631	CJR	04/08/14	SJA	04/08/14

REFERENCE:

- DESIGNED TO MEET INSERTION/ EXTRACTION FORCES OF SAE/USCAR-2
- FITS INTO USCAR CLIP SLOT SPECIFICATION EWCAP-005-11 (NOT A TEST SPEC.)



Material
PA66HIRHS
COLOR: BLACK

Units millimeters

Tolerance defined on each dimension

The copyright of this drawing is reserved by HellermannTyton. It is issued on condition that it is not reproduced, copied or disclosed to a third party, either wholly or in part, without the consent of HellermannTyton.

Drawn MHT 04/12/13
Approved KVH 04/12/14
HellermannTyton
North America
Email: corp@htamericas.com
Web: www.hellermann.tyton.com

Article/Type-No CC90BRKT
Title 90 DEGREE CONNECTOR CLIP BRACKET
Drawing-No PRODUCTION : Phase
11-0344-001-CSU

Scale 1:1
Project Number 11-0344
Format AH
Sheet 1/1