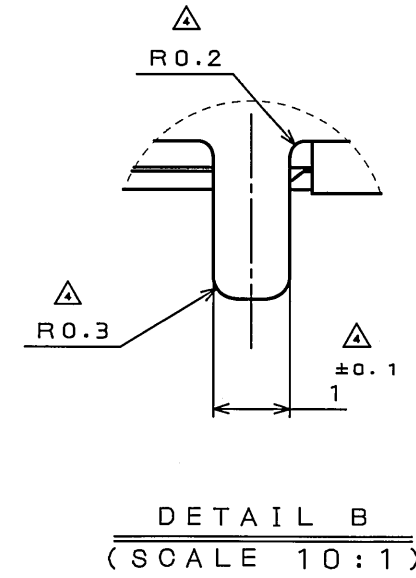
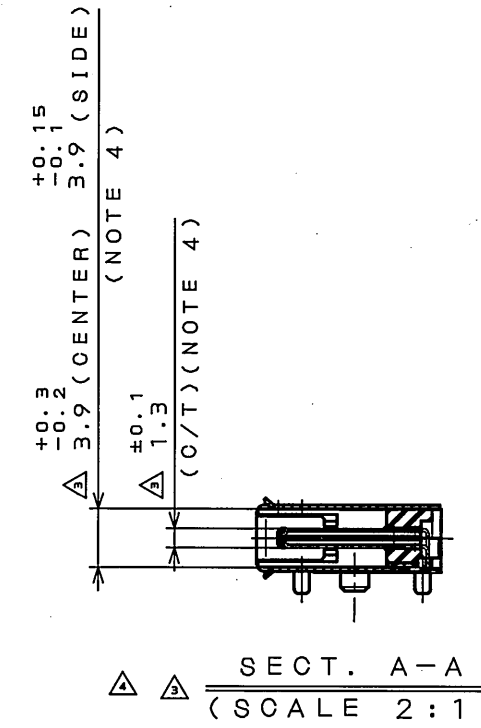
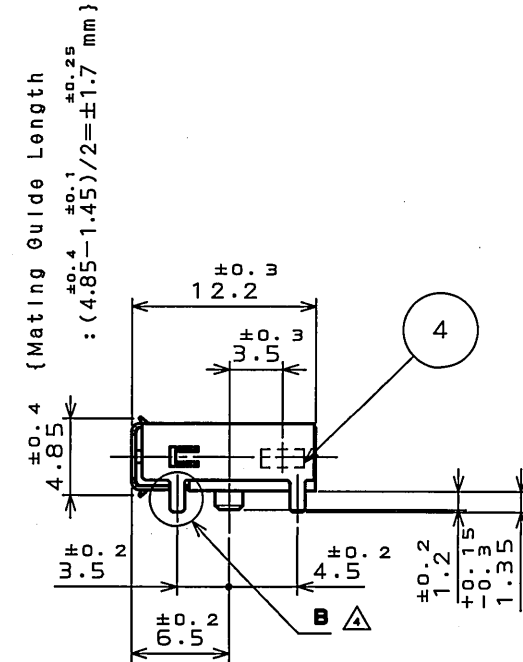
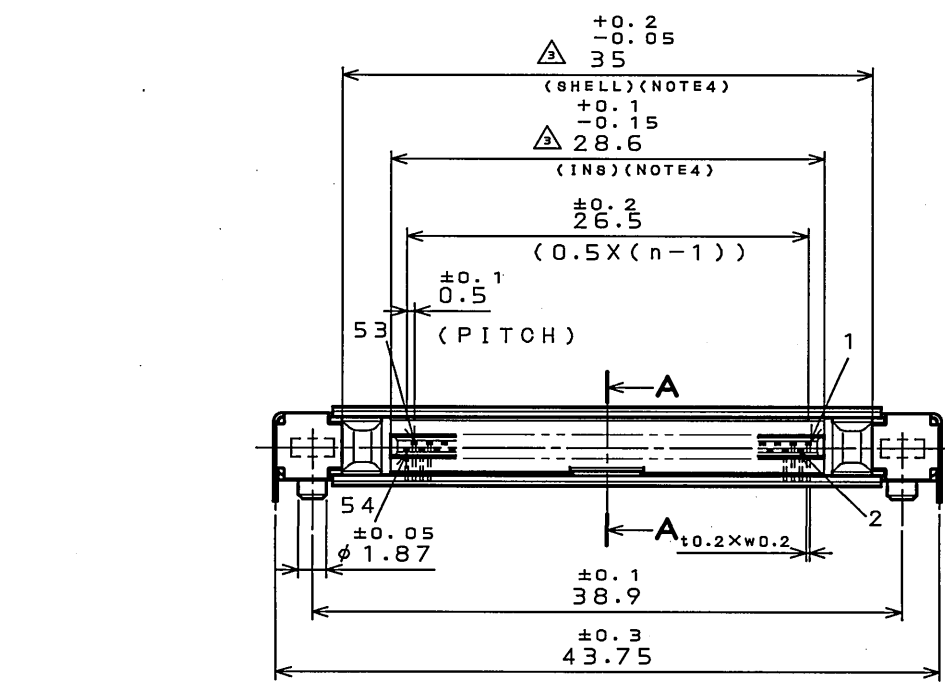
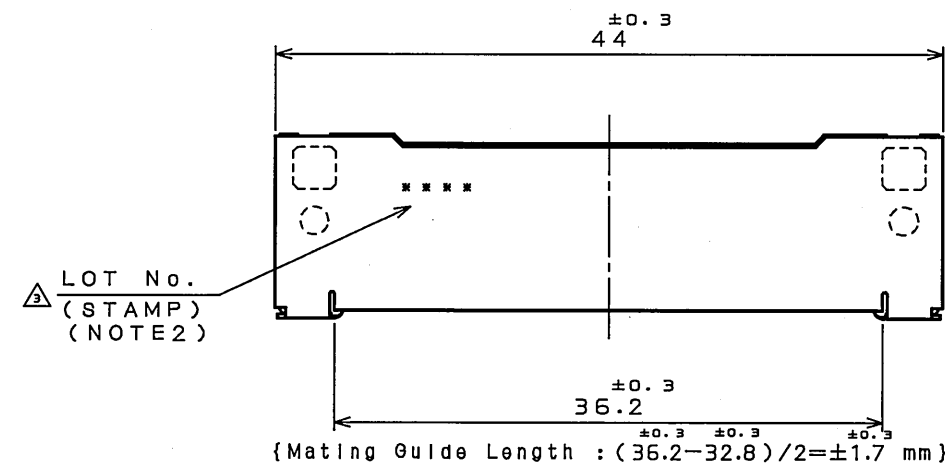
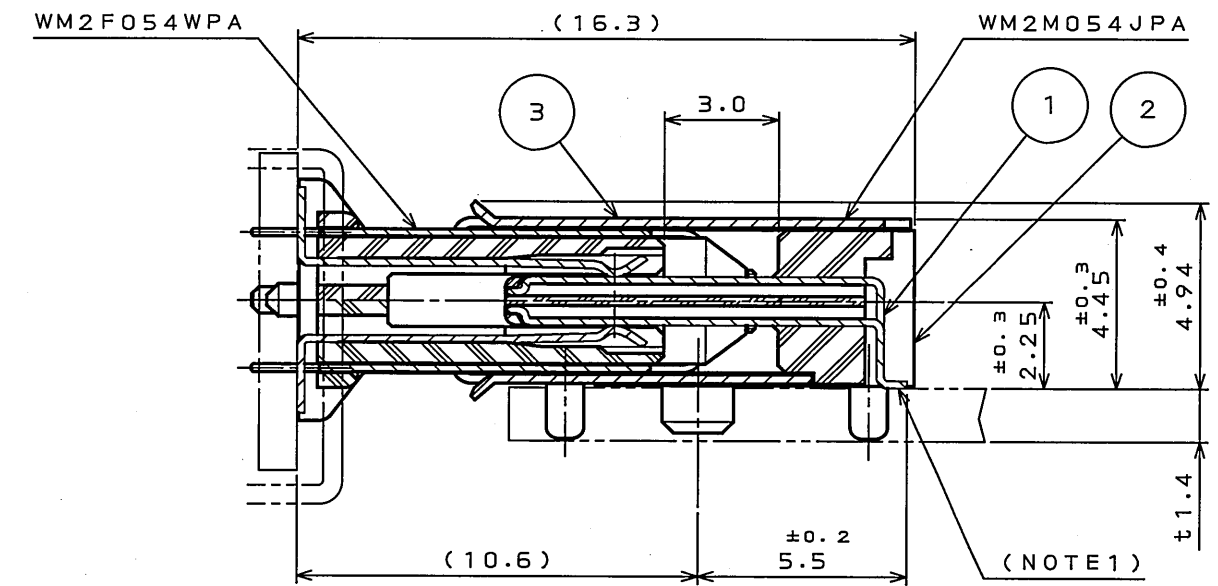
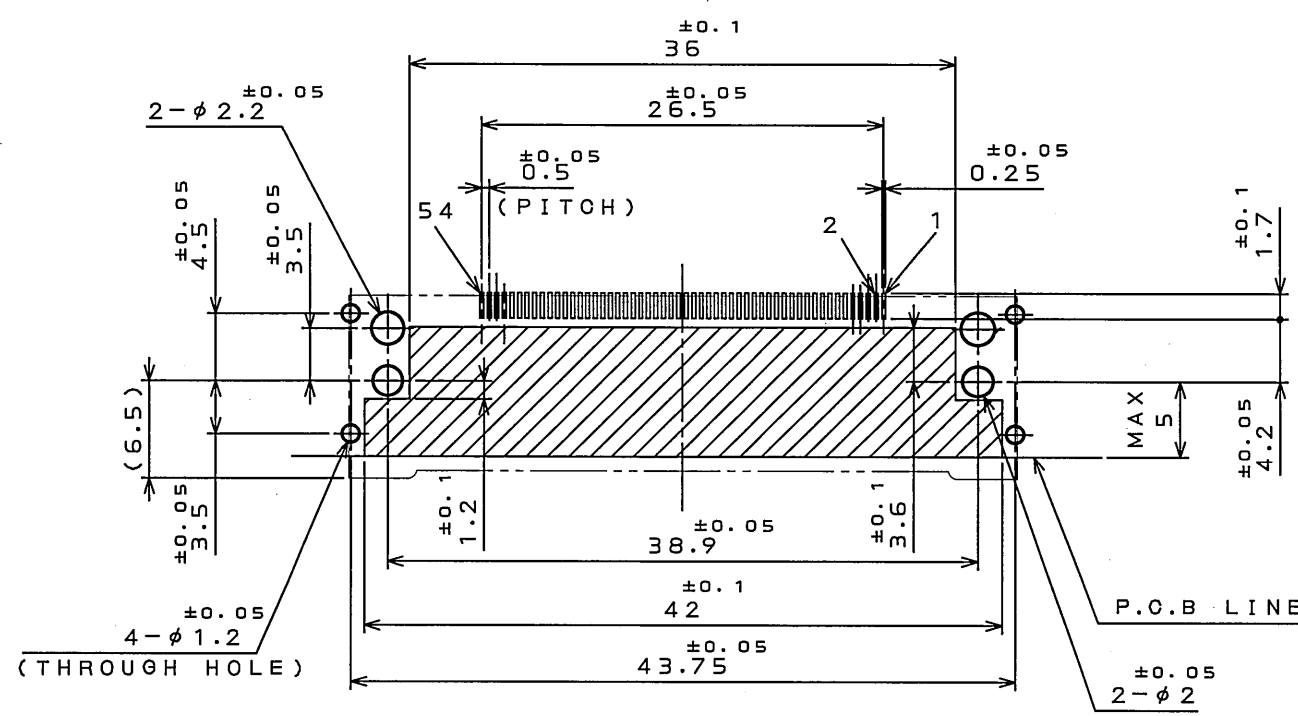


版数 REV.	年月日 DATE	図番 DCN NO.	変更内容 DESCRIPTION	製図 DR.	担当 CHK.	査閲 APPD.	承認 APPD.
2	30.Mar.2004	54700	CHANGED FORM		K.KAWASE		S.KASHIWAGI
3	14.Jan.2005	055855	CHANGED LOT NUMBER AREA AND ADDED DIMENSION	W.F.CHAO	N.UCHIYAMA	Y.YAHIRO	K.HISATOMI
4	22.Aug.2005	057607	CHANGED FORM	Y.G.LIU	N. Uchiyama		K.Hisatom



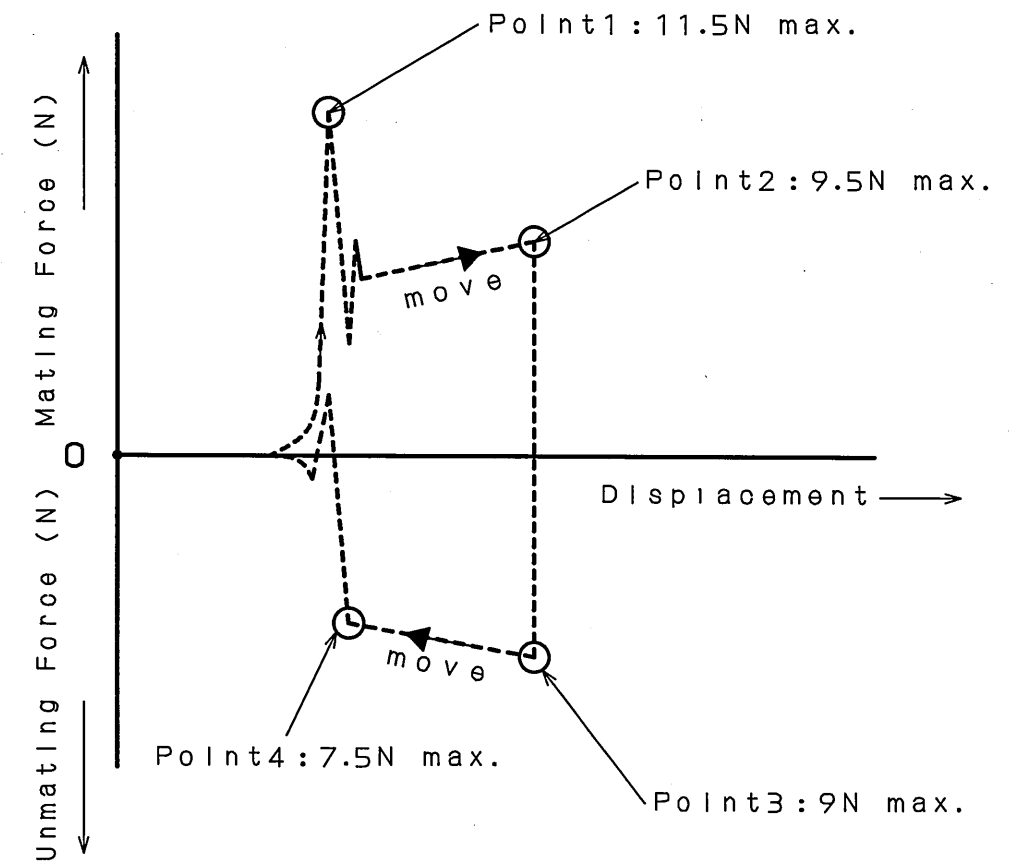
WIRING AND THROUGH HOLE PROHIBIT AREA



MATED CONDITION(REF.)
嵌合状態図(参考)

NOTE 1. TERMINAL COPLANARITY IS 0.1mmMAX.
NOTE 2. PRODUCTION LOT NUMBER AS INDICATED.
(EX.) I 4 2 1
LOT NUMBER OF CURRENT MONTH
MONTH (1 TO 9 FOR JAN. TO SEPT. RESPECTIVELY,
OCT. :0, NOV.:X, DEC.:Y)
YEAR (LAST DIGIT ONLY)
MANUFACTURER CODE

NOTE 3. MAINTO AND UNMATING FORCE IS AS FOLLOWING.



NOTE 4. THESE DIMENSIONS ARE CRITICAL.

符号 NO.	名 DESCRIPTION	個 QTY.	材 MATERIAL	仕 FINISH	備 REMARKS
4	NUT	2	STEEL	NI	M2
3	SHELL	1	STAINLESS STEEL	NI	
2	INSULATOR	1	GLASS FILLED LCP		UL94V-0 BLACK
1	CONTACT	54	COPPER ALLOY	TERMINAL:TIN PLATING CONTACT AREA: Au 0.1μm MIN OVER NI	

仕様書 (SPECIFICATION)	第1版 (ORIGINAL DATE)	図度 (SCALE)	シリーズ (SERIES)	備考 (REMARKS)
	6.Feb.2004	2:1	WM2	日本航空電子工業株式会社
製図 DR.	W.F.CHAO	名称 (TITLE)		JAPAN AVIATION ELECTRONICS INDUSTRY, LTD.
担当 CHK.	K.KAWASE	WM2M054JPA		
査閲 APPD.				
承認 APPD.	S.KASHIWAGI			図面番号 (DRAWING NO.)
		質量 (MASS)		SJ100658