

4

3

2

1

THIS DRAWING IS UNPUBLISHED.

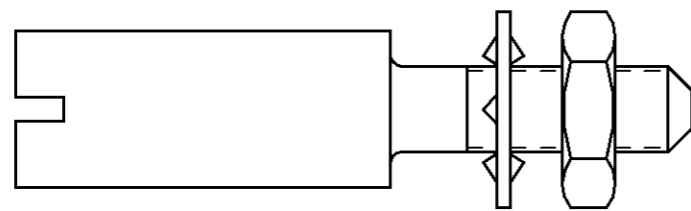
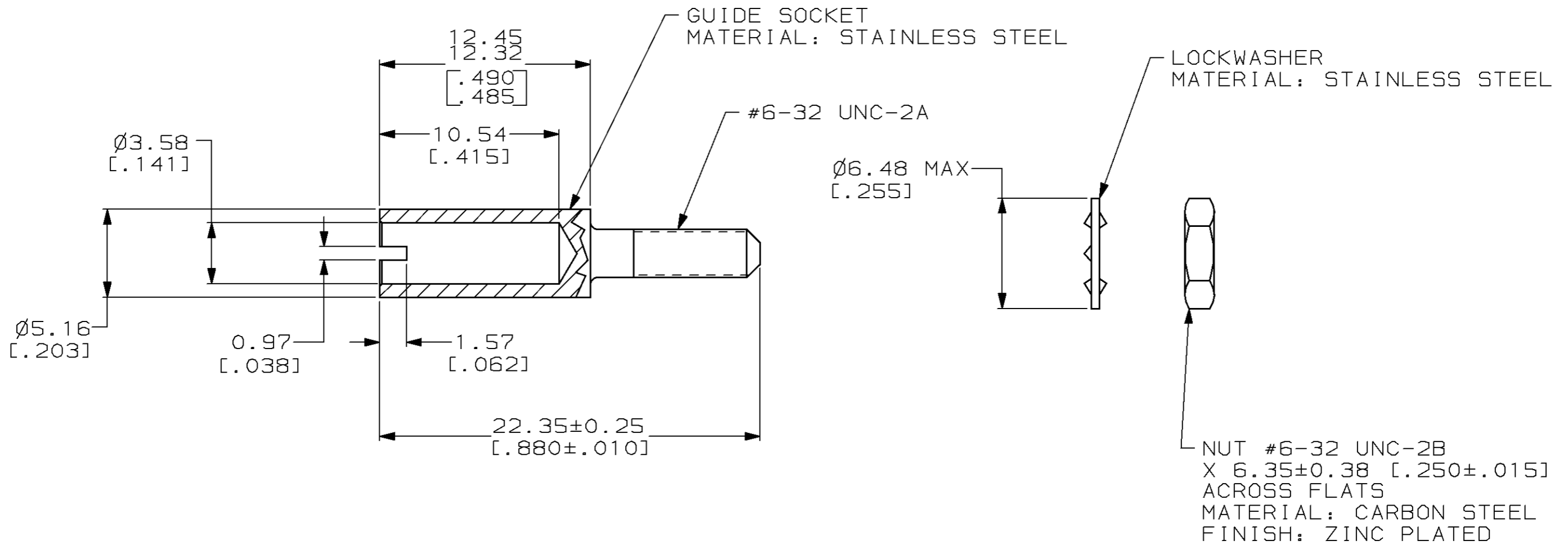
RELEASED FOR PUBLICATION

,19 .

© COPYRIGHT 19

BY AMP INCORPORATED. ALL RIGHTS RESERVED.

LOC	DIST	REVISIONS			
P	LTR	DESCRIPTION	DATE	DWN	APVD
FT	8				
	H	REDRAWN W/O CHANGE PER EC 0020-287-96	03 JUN 96	-	-



ASSEMBLED VIEW

203966-1

PART NUMBER

THIS DRAWING IS A CONTROLLED DOCUMENT.

DIMENSIONS: mm [INCHES]	TOLERANCES UNLESS OTHERWISE SPECIFIED:
	0 PLC ±-
	1 PLC ±-
	2 PLC ±0.13 [.005]
	3 PLC ±-
	4 PLC ±-
	ANGLES ±-
MATERIAL SEE CALLOUTS	FINISH SEE CALLOUTS

DWN B. CARBO	03 JUN 96
CHK R. STONE	18 JUL 96
APVD G. A. STEINHAUER	24 JUL 96
PRODUCT SPEC	-
APPLICATION SPEC	-
WEIGHT	-
CUSTOMER DRAWING	

AMP AMP Incorporated Harrisburg, PA 17105-3608		
NAME GUIDE SOCKET KIT, CORNER, UNASSEMBLED, MINIATURE RECTANGULAR, 75 & 104 POSITION, M SERIES		
SIZE A3	CAGE CODE 00779	DRAWING NO C-203966
SCALE 4:1	SHEET 1 OF 1	REV H