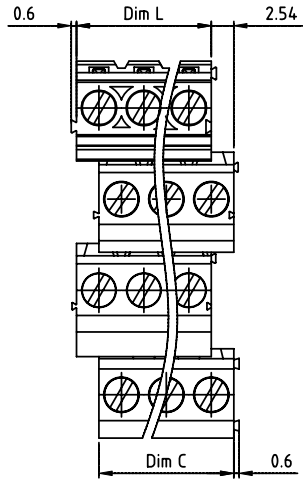


PRODUCT NUMBER	PITCH
YTxx21x000J0G	5.08 mm



DIMENSION

Dim L	N/4x5.08
Dim B	(N/4-1)x5.08
Dim C	N/4x5.08

N=Number of poles

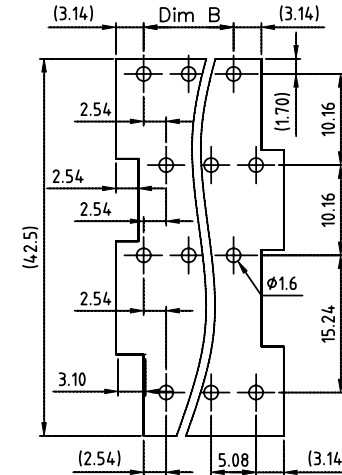
Poles	Tolerance
8poles~24poles	±0.15
28poles~48poles	±0.25
52poles~72poles	±0.35
76poles~96poles	±0.40

PART NO.: YT xx 21 x 0 00J0 G

End stackable
No. of poles
08 4x2 poles
12 4x3 poles
...
96 4x24 poles

Color
0 Black (RAL9005)
2 Red (RAL3001/D)
3 Orange(RAL2011/P)
4 Yellow(RAL1018/A)
5 Green(RAL6018/T)
6 Blue (RAL5015/A)
8 Grey(RAL7035/D)
9 White(RAL1102)
C Green(RAL6018/U)

RoHS compliant
(lead<4%)
In copper Alloy



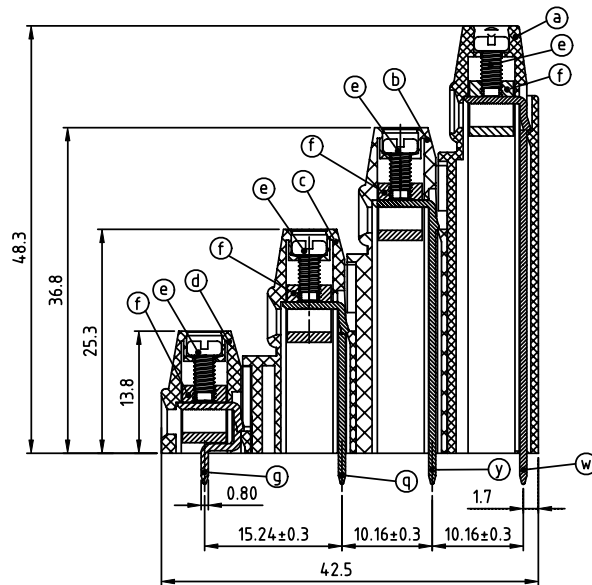
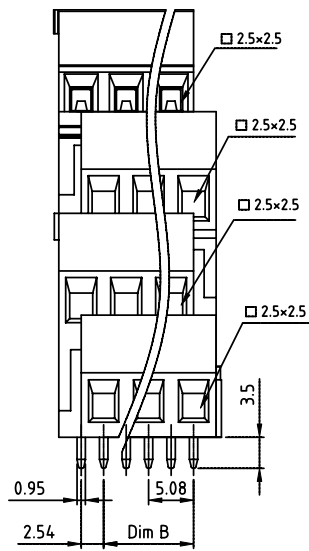
RECOMMENDED P.C.B. LAYOUT
TOP VIEW

Material:

- Item Ⓐ Terminal housing : Thermoplastic (UL94V-0)(YR5.08)
- Item Ⓑ Terminal housing : Thermoplastic (UL94V-0)(YF5.08)
- Item Ⓒ Terminal housing : Thermoplastic (UL94V-0)(YE5.08)
- Item Ⓓ Terminal housing : Thermoplastic (UL94V-0)(YD5.08)
- Item Ⓔ Terminal screw: Steel Zinc plating "-" slot type
- Item Ⓕ Clamp : Brass , Ni plating
- Item Ⓖ Solder pin1 : Brass, Tin plated
- Item Ⓗ Solder pin2 : Brass, Tin plated
- Item Ⓢ Solder pin3 : Brass, Tin plated
- Item Ⓚ Solder pin4 : Brass, Tin plated

Electrical cULus

- Voltage rating: 300VAC
- Current rating: 10A
- Wire range:
- Solid wire(AWG): 12-24
- Stranded wire(AWG): 12-24
- Torque(Lb-In): 3.5
- Screw: M2.5
- Wire strip length: 6-7mm
- Withstanding Voltage: 1.6KV
- Operating temperature: -40°C to +115°C
- Soldering temperature: 260°C±5°C/5 Sec
- Safety Approval:



mat'l. code		surface ASME Y14.5	tolerance ASME Y14.5	projection 	product family TERMINAL BLOCK
ltr	ecn no	dr	date	MM	title TERMINAL BLOCK
tolerances unless otherwise specified					scale
angles		X.±0.5			sheet 1 of 1 size A4
X*±1"		X.X±0.3			dwg no YTxx21x000J0G
dr		EVIN ZHONG	041114		type CUSTOMER Drawing
enr		EVIN ZHONG	041114		
chr		HANKE FENG	041114		
appd		SHI JUN	041114		
sheet index	revision	A	1		