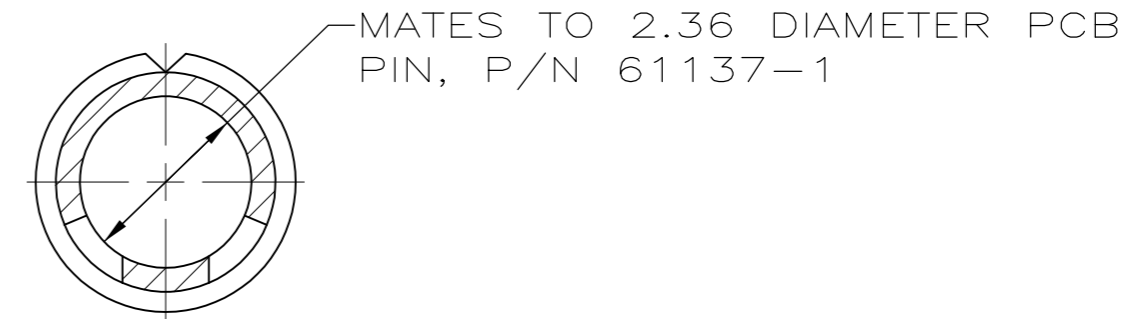
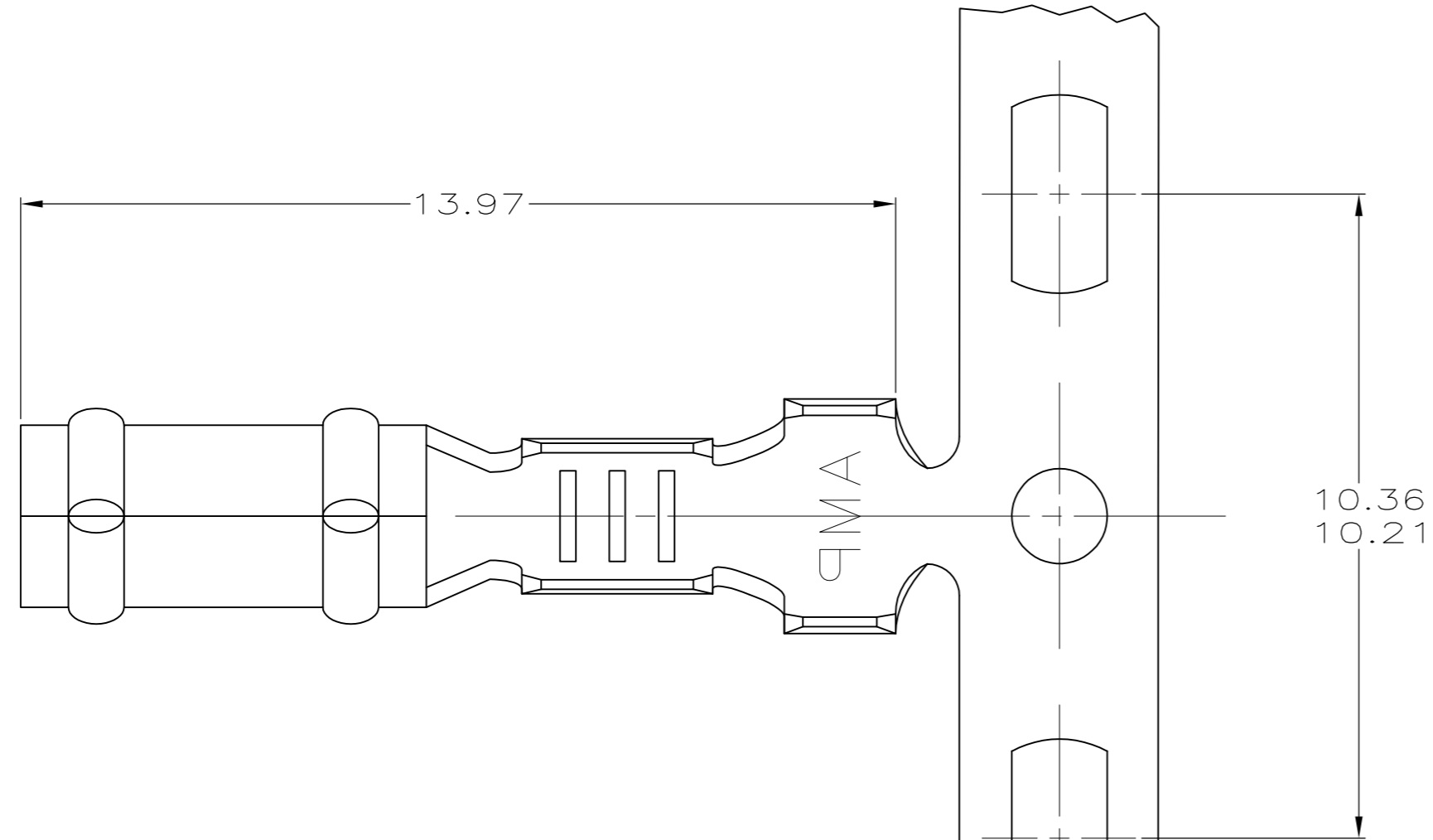


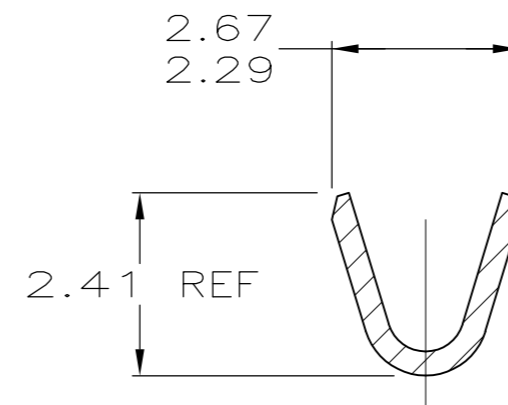
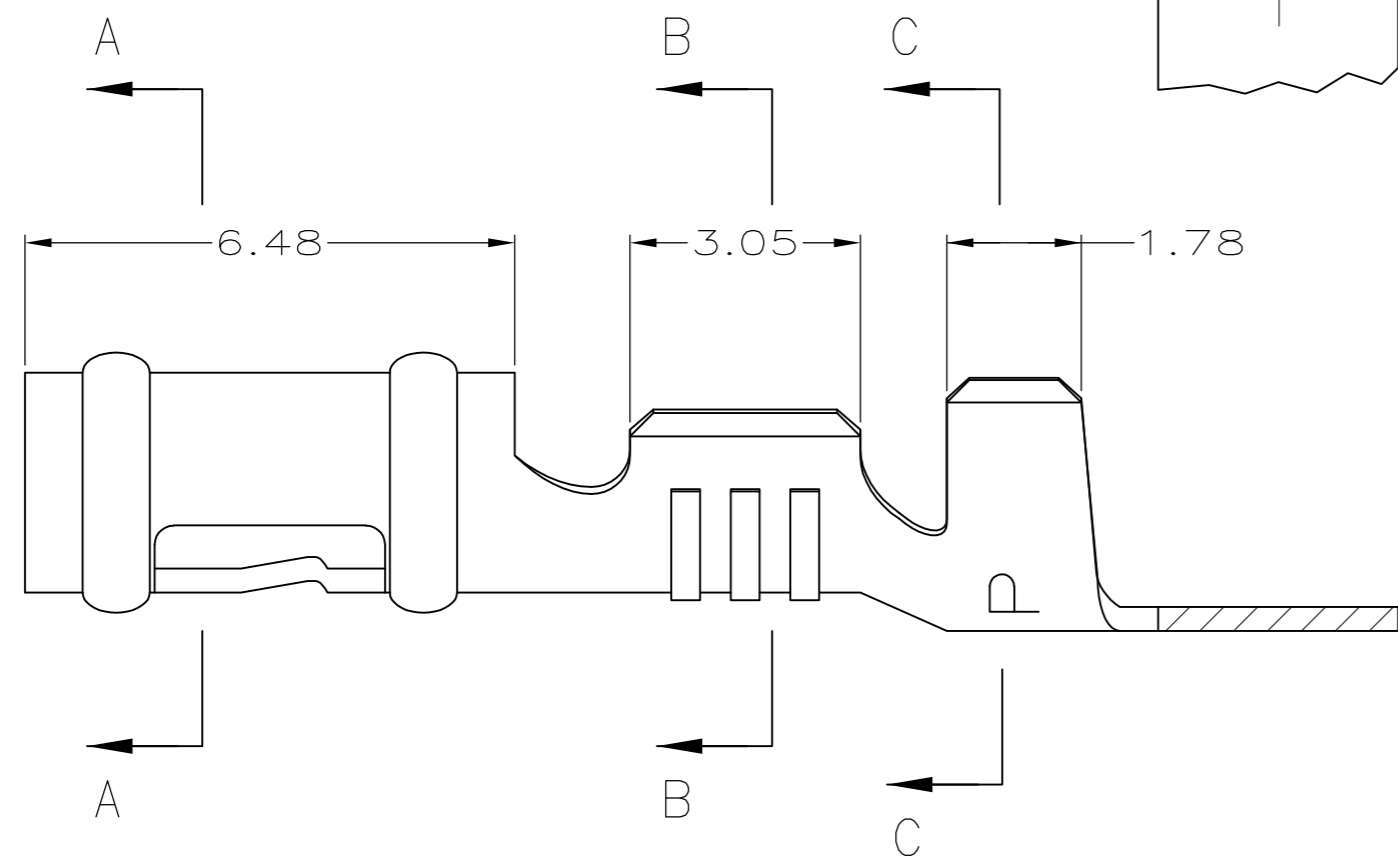
THIS DRAWING IS UNPUBLISHED. RELEASED FOR PUBLICATION
 © COPYRIGHT - By - ALL RIGHTS RESERVED.

LOC	DIST	REVISIONS			
P	LTR	DESCRIPTION	DATE	DWN	APVD
CM	52	L2	REVISED PER ECO-11-004917	11MAR11	RK HMR

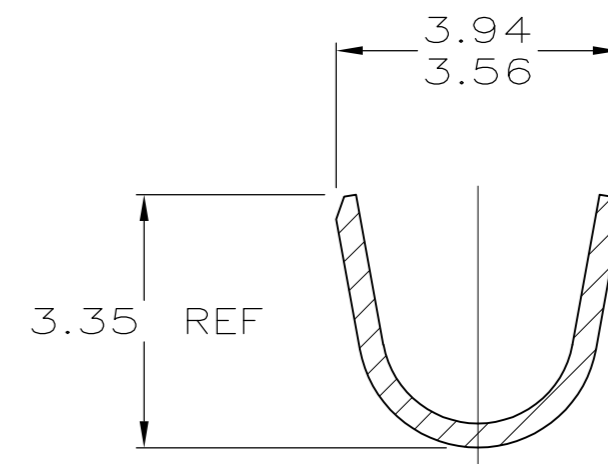
1. WIRE RANGE: 0.3 - 0.9 MM² (22 - 18 AWG)
2. INSULATION RANGE: 1.52 - 2.79
- ⚠ REVERSE REEL OF PART NUMBER 61291-5.



SECTION A-A



SECTION B-B



SECTION C-C

⚠ 61291-5
61291-1
PART NUMBER

2.29	.090	3.05	.120	10.21	.402	-	-
1.78	.070	2.79	.110	6.48	.255	-	-
1.52	.060	2.67	.105	3.94	.155	-	-
0.32	.013	2.41	.095	3.56	.140	13.97	.550
0.13	.005	2.36	.093	3.35	.132	10.36	.408
MM	IN	MM	IN	MM	IN	MM	IN

CONVERSION TABLE

METRIC

THIS DRAWING IS A CONTROLLED DOCUMENT.		DWN	6-16-97	TE Connectivity			
DIMENSIONS: mm		T. BECK	6-16-97				
TOLERANCES UNLESS OTHERWISE SPECIFIED:		R. SWING	6-16-97				
0 PLC ± -		APVD	8-22-97	NAME			
1 PLC ± -		A. BEDDICK		RECEPTACLE, .093 DIAMETER,			
2 PLC ± 0.13		PRODUCT SPEC		22-18 AWG, .060-.110			
3 PLC ± -		108-1025		INSULATION, P.C. CONTACT			
4 PLC ± -		APPLICATION SPEC		SIZE			
ANGLES ± -		114-1008		CAGE CODE		DRAWING NO	
MATERIAL		WEIGHT		A2 00779		C=61291	
0.32 PH BRZ		PRE TIN		CUSTOMER DRAWING		RESTRICTED TO	
				SCALE 10:1		SHEET 1 of 1	
						REV L2	