



PRODUCT DATASHEET

Tyra series

last update 13/8/2014

DETAILS

Product Number	C12359_TYRA3-WW
Family	Tyra
Type	Reflector
Color	metal
Diameter	40 mm
Height	22,5 mm
Style	round
Optic Material	PC
Holder Material	
Fastening	glue
Status	production ready
ROHS Compliant	Yes
Date Updated	13/08/2014



OPTICAL PROPERTIES

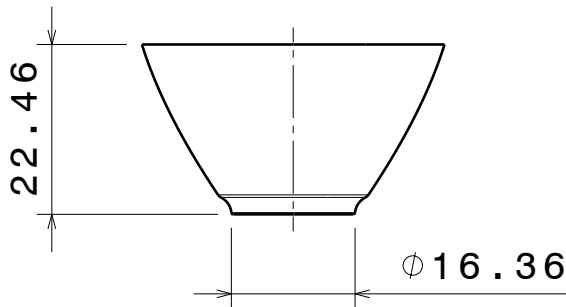
LED	Viewing Angle	Light Beam	Efficiency	cd/lm	Connector
CL-L233	64 deg	Very Wide	90 %	0.820	-

D

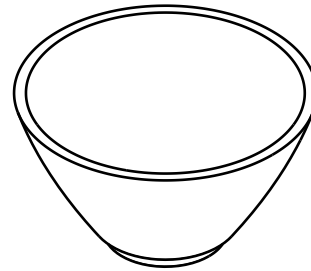
C

B

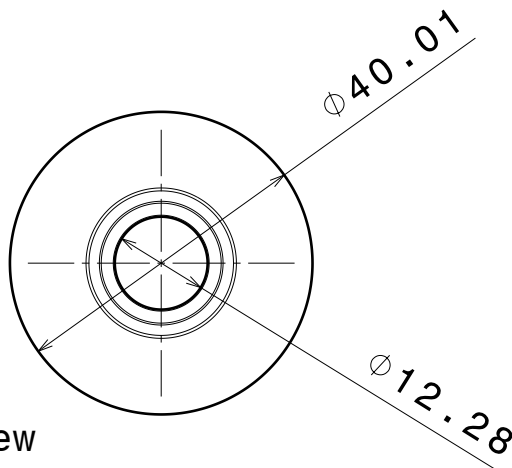
A



Front view



Isometric view



Bottom view

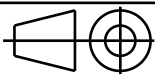
INDEX	PART NO	DESCRIPTION	MATERIAL	COLOUR
1	C12359	TYRA3-WW	PC	metal

Tolerances if not otherwise shown
 According to DIN ISO 2768-1
 Linear measures: class C
 According to DIN ISO 2768-2
 Form and position: class L

LEDiL

Ledil Oy
 Salorankatu 10
 FIN 24240 SALO
 Finland

THIRD ANGLE PROJECTION:



DRAWING TITLE

C12359_TYRA3-WW

This drawing is the property
 of LEDiL Oy. It may not be
 reproduced, copied or
 communicated without a written
 agreement with LEDiL Oy.

SIZE	PART NUMBER
A4	C12359

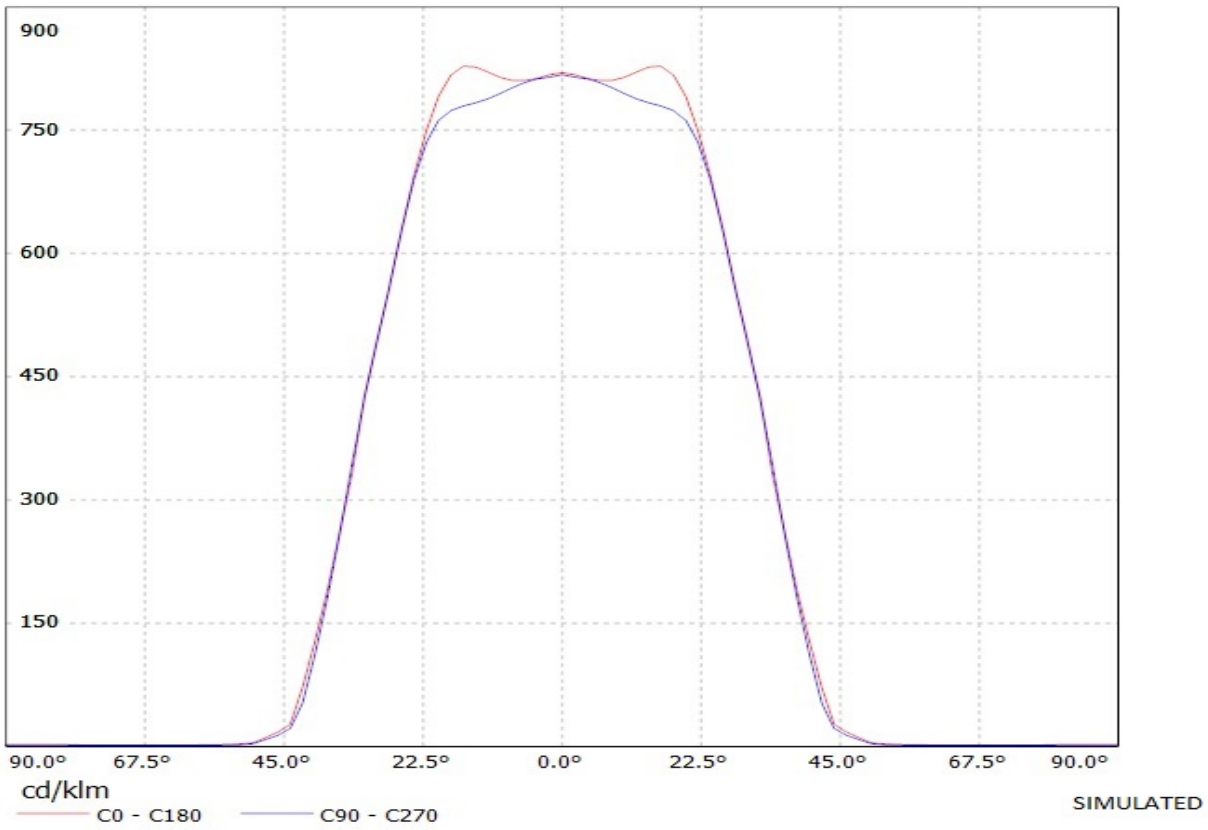
SCALE	1:1	WEIGHT	5,28 g	SHEET	1/1
-------	-----	--------	--------	-------	-----

D

A

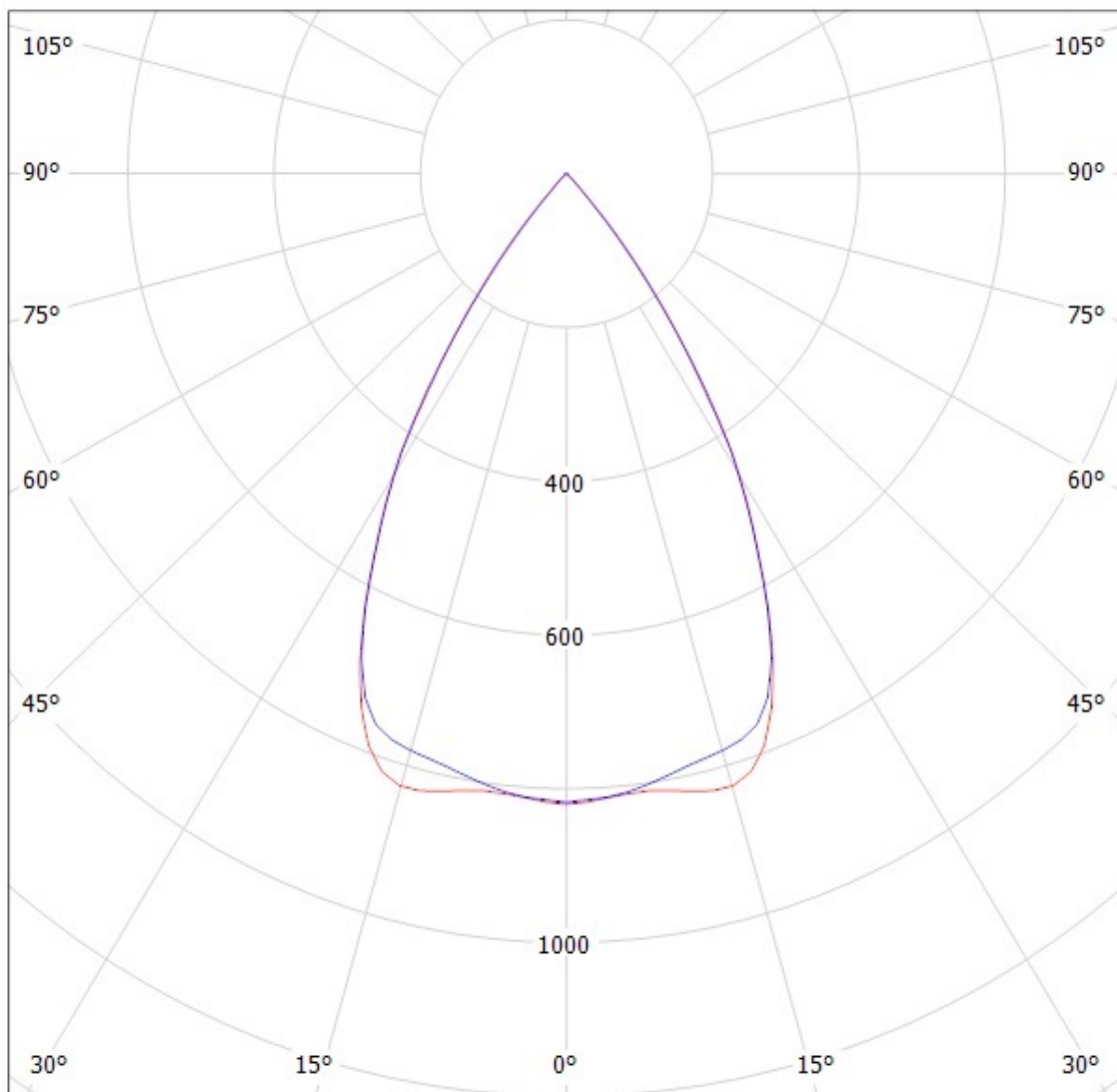
Ledil Oy C12359-Tyra3-WW C12359-Tyra3-WW Citizen CL-L233 (warm) 280lm @ 250mA LOR=90% / LDC (Linear)

Luminaire: Ledil Oy C12359-Tyra3-WW C12359-Tyra3-WW Citizen CL-L233 (warm) 280lm @ 250mA LOR=90%
Lamps: 1 x Citizen CL-L233 (warm) 280lm @ 250mA



Ledil Oy C12359-Tyra3-WW C12359-Tyra3-WW Citizen CL-L233 (warm) 280lm @ 250mA LOR=90% / LDC (Polar)

Luminaire: Ledil Oy C12359-Tyra3-WW C12359-Tyra3-WW Citizen CL-L233 (warm) 280lm @ 250mA LOR=90%
Lamps: 1 x Citizen CL-L233 (warm) 280lm @ 250mA



cd/klm

— C0 - C180 — C90 - C270

SIMULATED

NOTE: The typical divergence will be changed by different color, chip size and chip position tolerance. The typical total divergence is the full angle measured where the luminous intensity is half of the peak value.