

MODEL:

# SRWF5U36

## SmartRack® Low-Profile Wall-Mount Rack Enclosure Cabinet



5 Rack Units



2U Patch Panel Bracket



150 lb. Load Rating



Sturdy Steel Construction



Locking Doors & Side Panels



Accommodates Standard 19-inch Equipment



Convenient Cable Access



Adjustable Mounting Rails



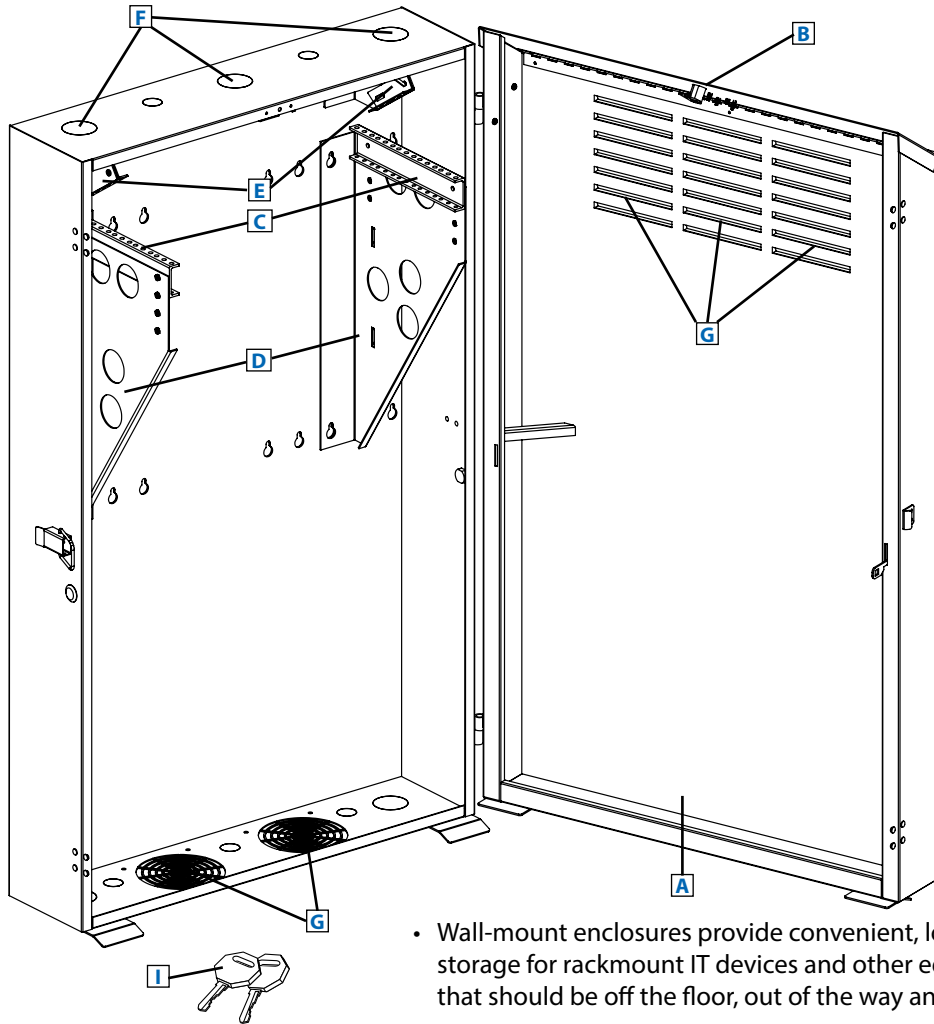
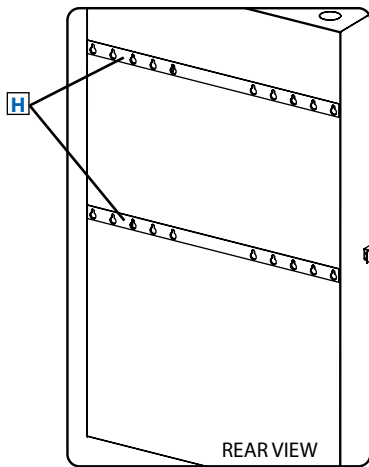
Ventilated for Ample Airflow



Reversible Door

- A** Front Door (Lockable/Reversible)
- B** Top Panel Door (Lockable)
- C** Horizontal Mounting Rails (Adjustable/Reversible)
- D** 5U Vertical Mounting Brackets
- E** 2U Slide-Out Patch Panel Mounting Brackets
- F** Cable Access Holes
- G** Vents
- H** Wall-Mounting Slots
- I** Keys

Also Includes: Owner's Manual and rackmount equipment mounting hardware (12 M6 screws, 12 M6 cup washers and 12 12-24 screws).



- Wall-mount enclosures provide convenient, locking storage for rackmount IT devices and other equipment that should be off the floor, out of the way and secure
- Low-profile design with vertical equipment mounting is ideal for back office or network closet applications where space is limited
- 2U slide-out mounting brackets located at the top of the unit provide space for separate patch panels and allow for easy cable access

**SEE NEXT PAGE FOR DETAILED UNIT MEASUREMENTS**



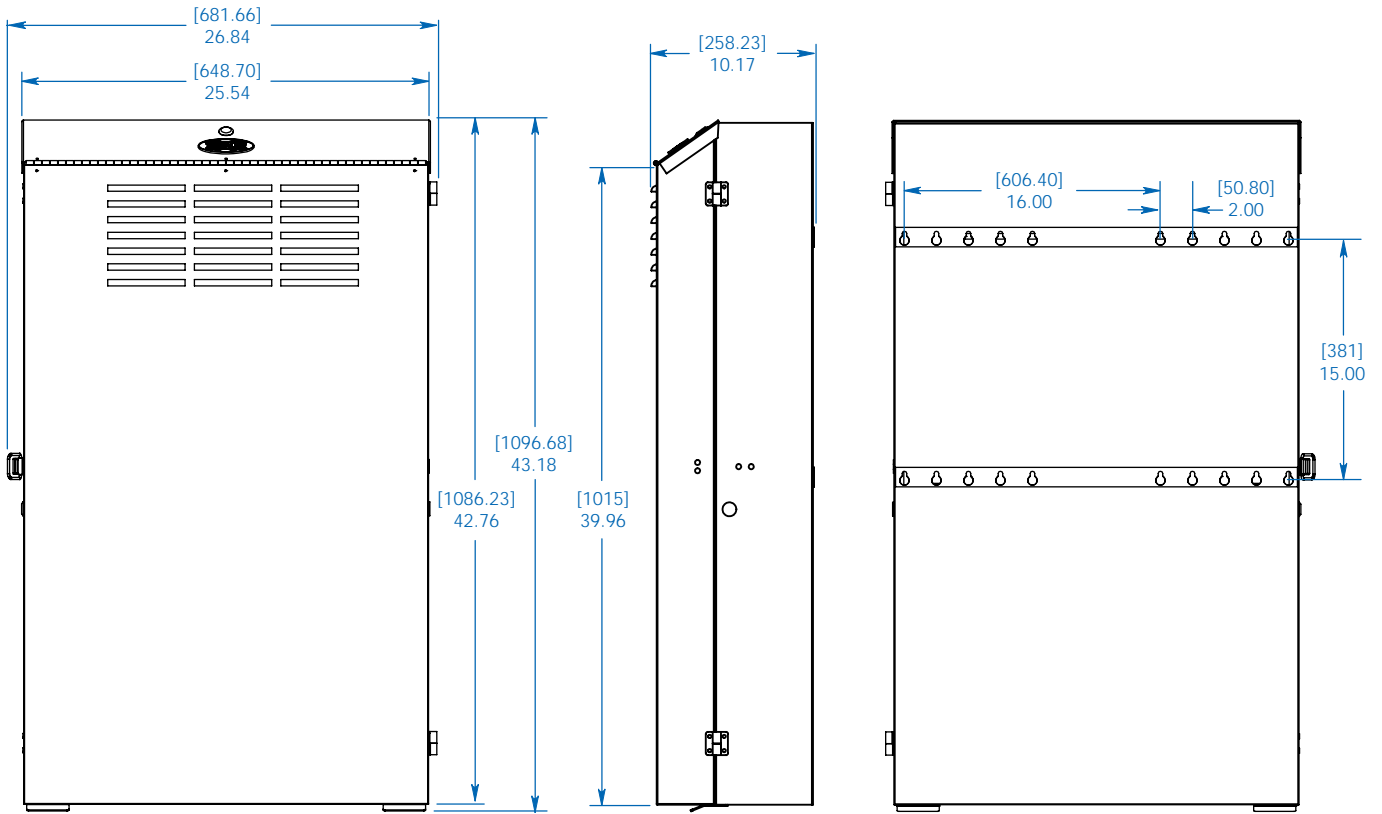
1111 W. 35th Street  
Chicago, IL 60609 USA  
773.869.1234  
www.tripplite.com

### Specifications

Model	SRWF5U36
Rack Spaces	5U
Equipment Mounting Depth	Up to 36 in. (914 mm)
Load Rating*	150 lb. (68 kg)
Unit Dimensions (H x W x D)	43.2 x 25.6 x 9.7 in. (1097 x 650 x 245 mm)
Shipping Dimensions (H x W x D)	45.5 x 28 x 12 in. (1155 x 711 x 304 mm)
Unit Weight	55 lb. (25 kg)
Shipping Weight	77.8 lb. (35 kg)
Standards	Tested to EIA-310-E, NOM, RoHS, PCI-DSS

\* The load rating includes the combined weight of the unit and installed equipment. The unit must be mounted to a stable surface with user-supplied anchors capable of bearing the full load. Tripp Lite has a policy of continuous improvement. Specifications are subject to change without notice.

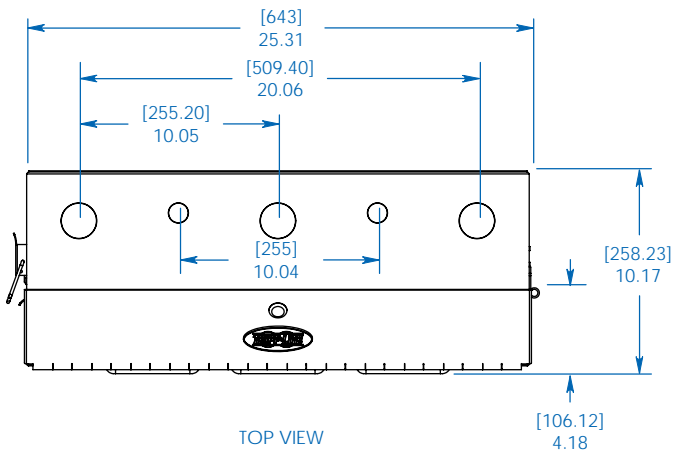




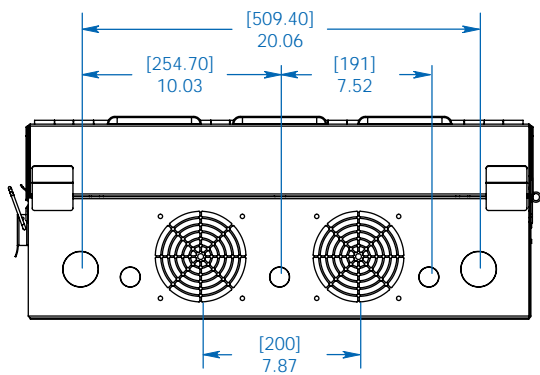
FRONT VIEW

SIDE VIEW

REAR VIEW



TOP VIEW



BOTTOM VIEW

Dimensions: [mm] INCHES

Tripp Lite has a policy of continuous improvement. Specifications are subject to change without notice.

MODEL:  
**SRWF5U36**  
**TRIPP·LITE**

1111 W. 35th Street  
 Chicago, IL 60609 USA  
 773.869.1234  
 www.tripplite.com