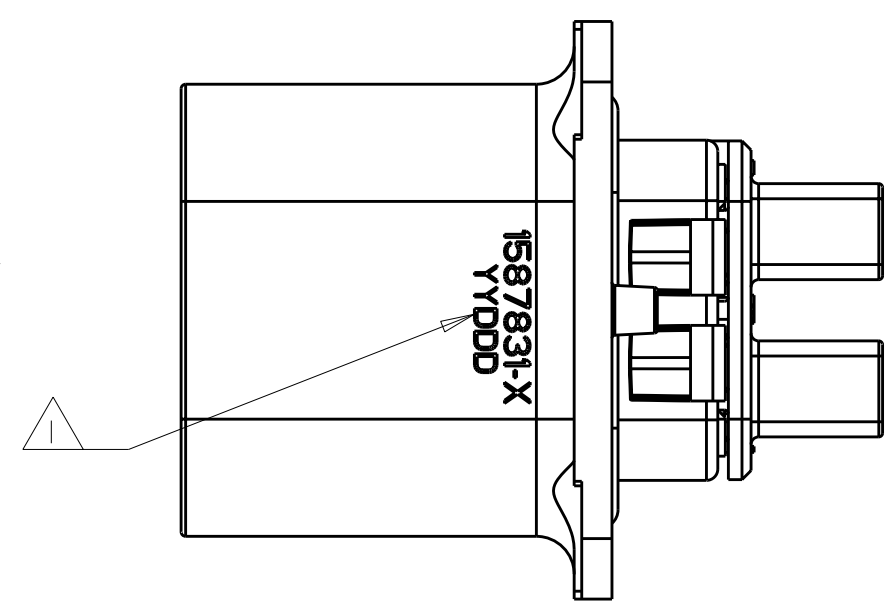
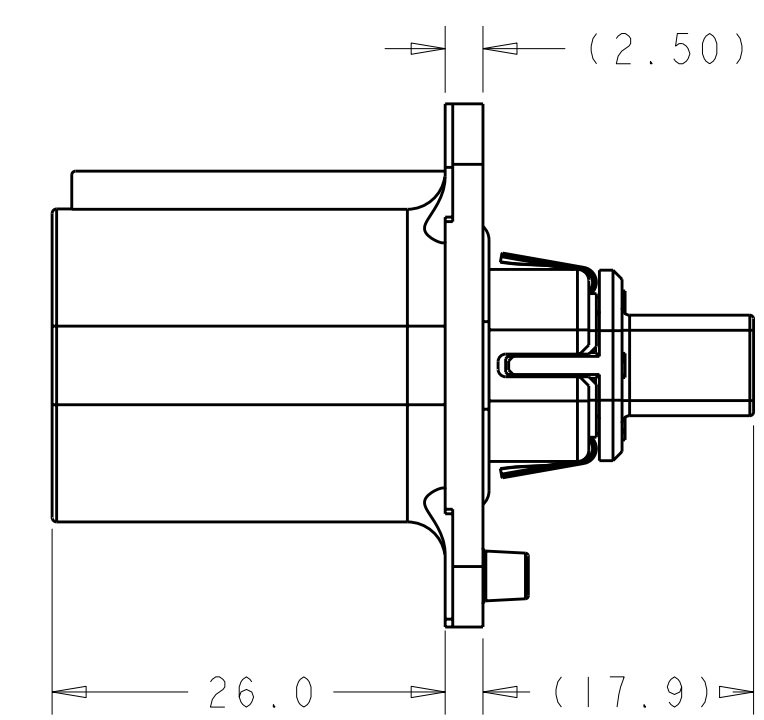
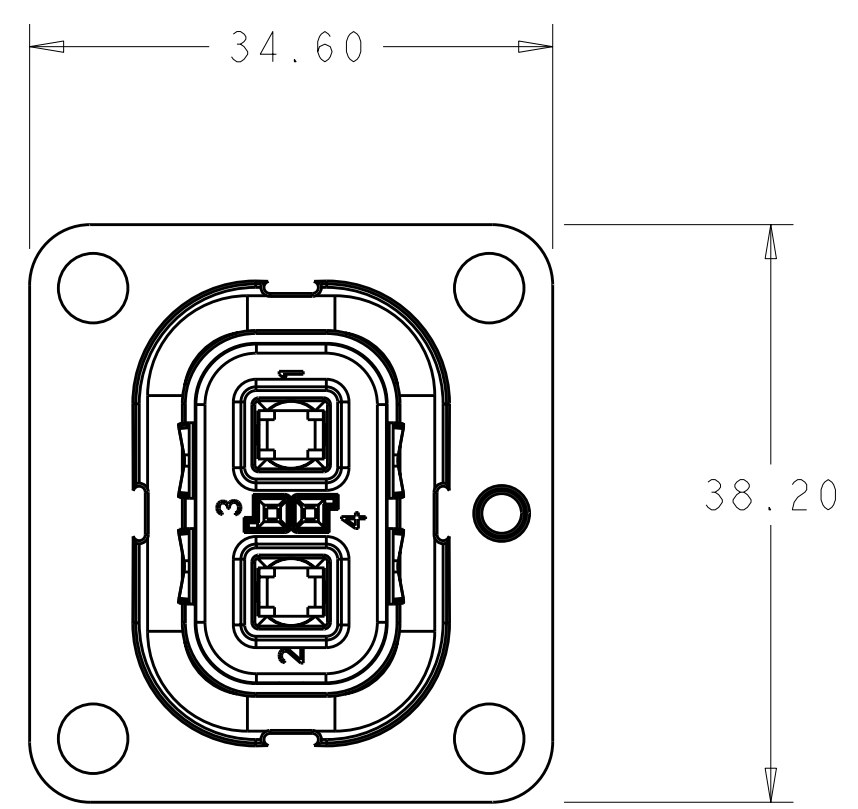
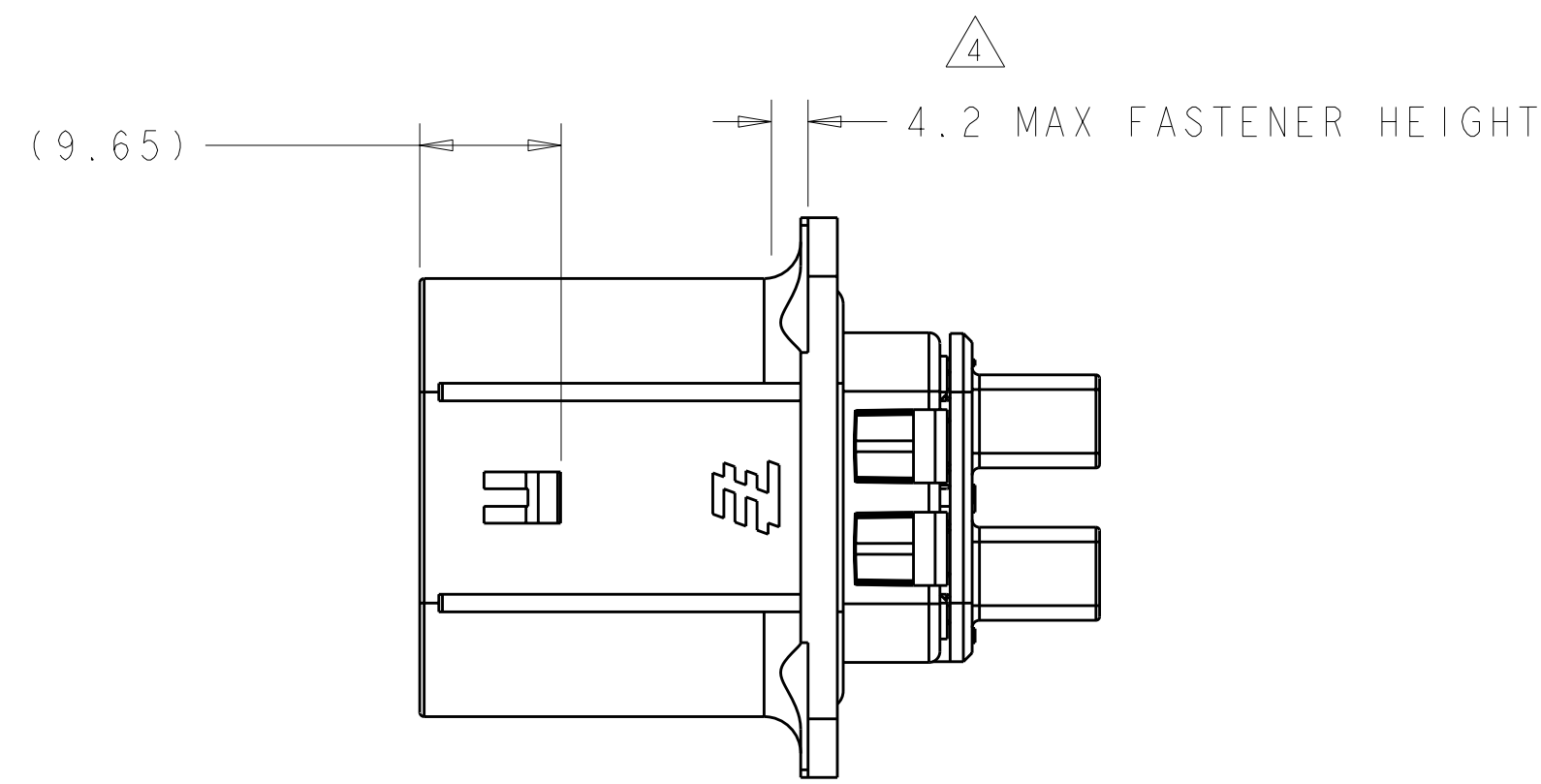
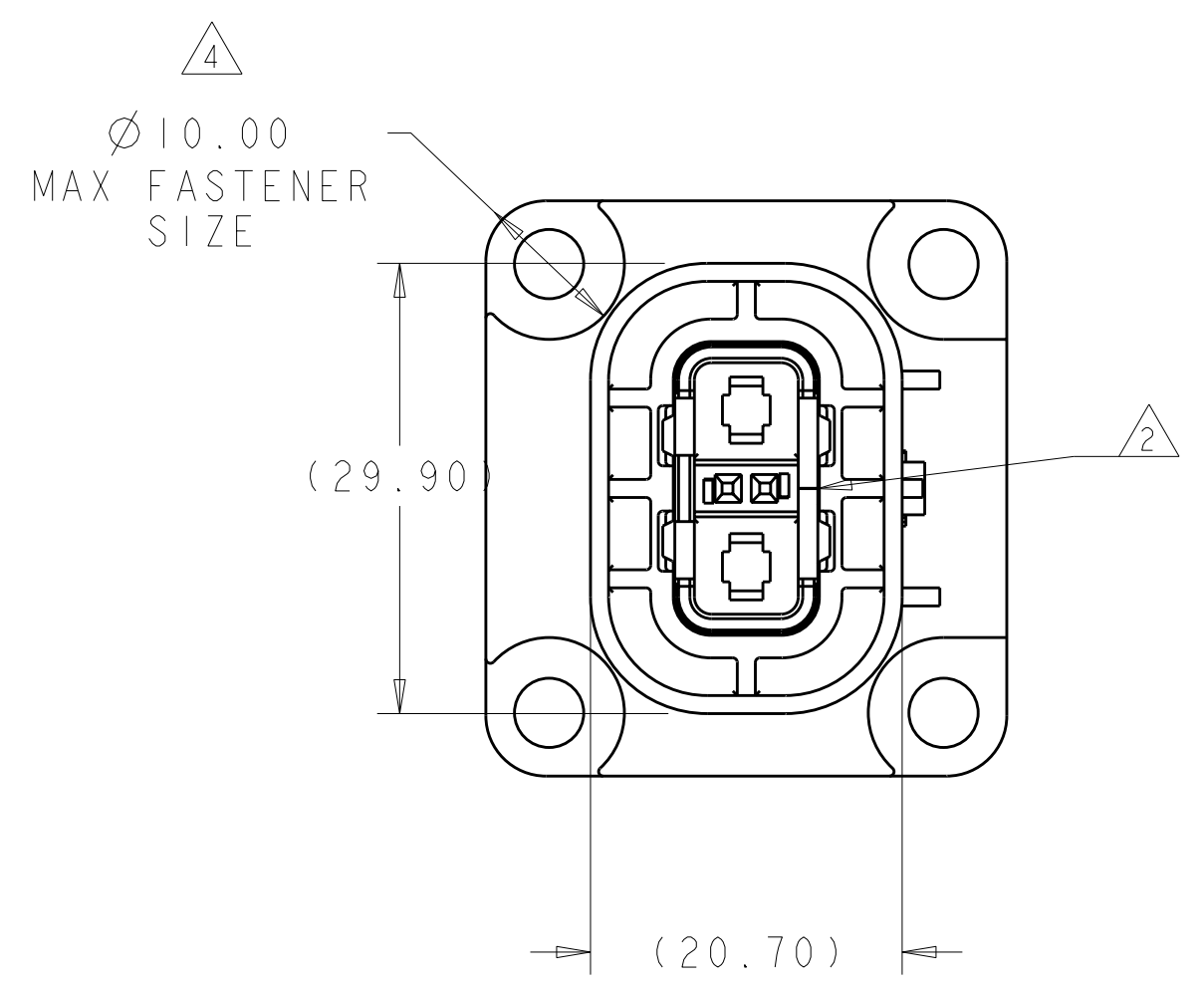
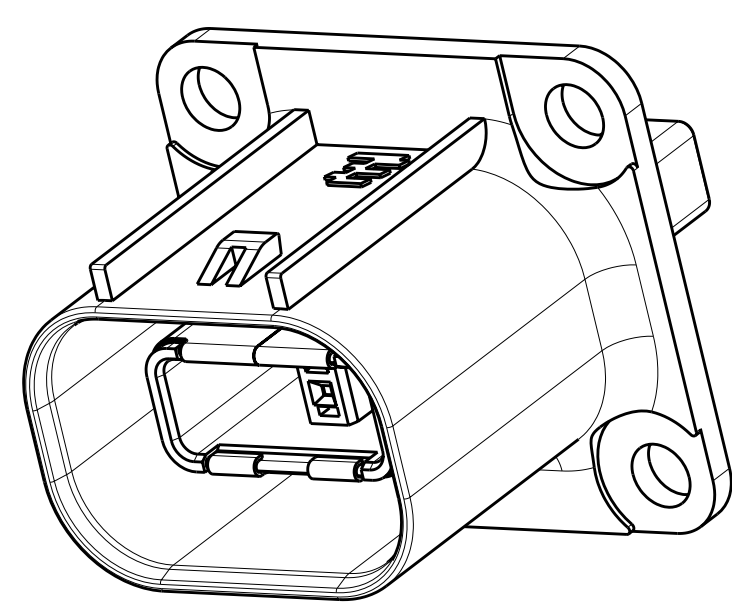
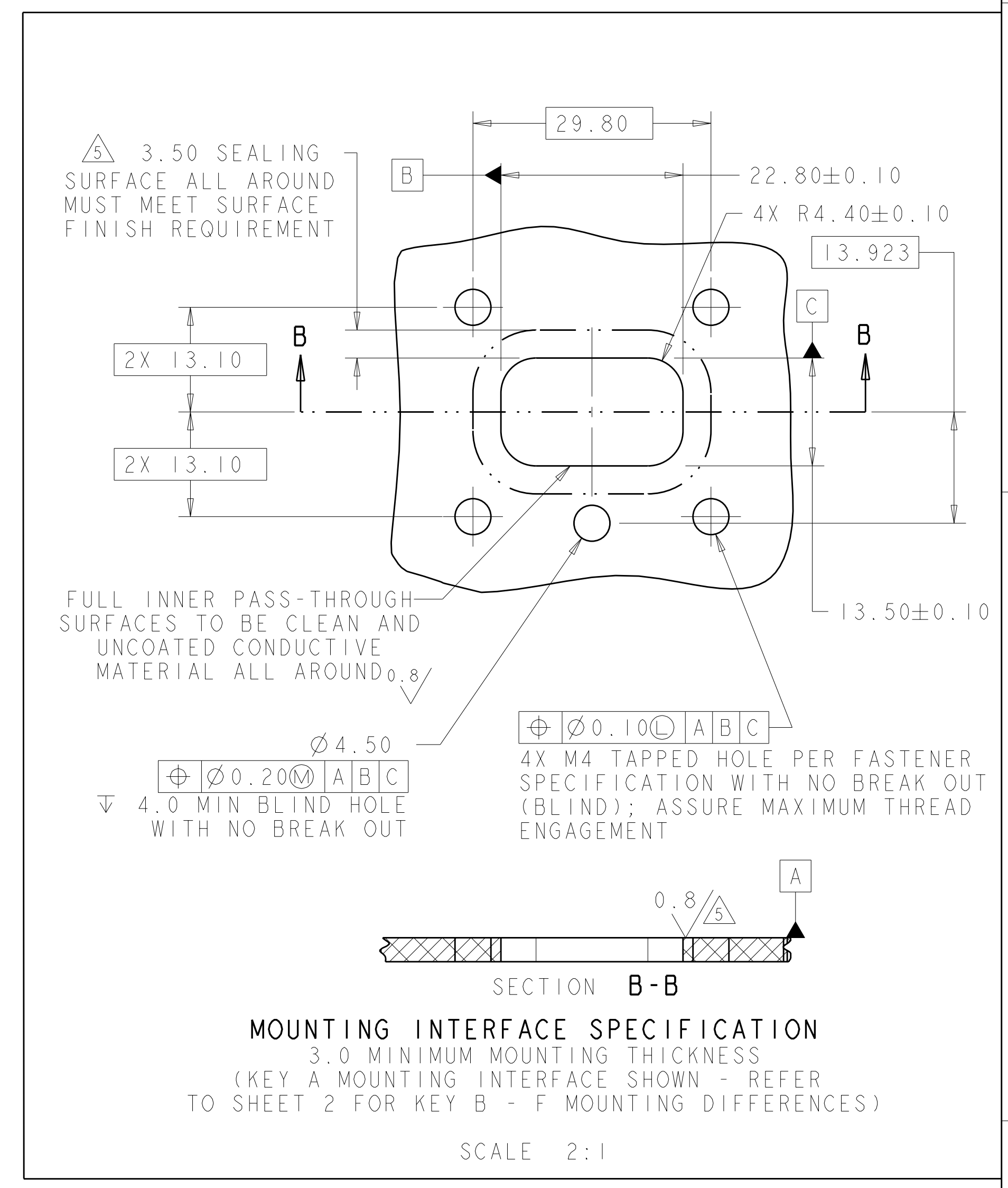


LOC	DIST	REV	DATE	BY	CHKD	APVD
HV	00					
		D1	27APR2011	RK	HMR	
		D2	14OCT2011	DS	TD	



- 1 IDENTIFICATION MARKING ON THIS SURFACE CONTAINS ASSEMBLY P/N AND DATE CODE (YYDD). TEXT ORIENTATION, SIZE, AND LOCATION CAN VARY AS LONG AS TEXT IS LOCATED ON SURFACE SHOWN AND READABLE.
- 2 SHIELD SEAM CAN BE POSITIONED AS SHOWN OR ROTATED 180° FROM POSITION SHOWN.
- 3 PRELIMINARY PART - NOT RELEASED FOR PRODUCTION
- 4 THESE DIMENSIONS DEFINE FASTENER SIZE LIMITS FOR PROPER COMPONENT FUNCTIONALITY. THESE ARE NOT PRODUCT FEATURES - NO INSPECTION REQUIRED FOR THESE ITEMS.
- 5. MATERIALS:  
 OUTER HOUSING: CAST ALUMINUM WITH BLACK ELECTRO-COAT  
 SHIELD: TIN PLATED COPPER ALLOY  
 INNER HOUSING: PA66



INDEX	PART NO
3	F 1587831-6
3	E 1587831-5
	D 1587831-4
3	<del>C 1587831-3</del>
	B 1587831-2
	A 1587831-1

THIS DRAWING IS A CONTROLLED DOCUMENT.		OWN: T. DEWILTE 25NOV2008	STE TE Connectivity	
DIMENSIONS: mm		CHK: T. DEWILTE	NAME: HVA 280 2P HEADER ASSY W/HVIL CHART DRAWING	
TOLERANCES UNLESS OTHERWISE SPECIFIED:		APVD: T. DEWILTE	PRODUCT SPEC: 108-2394	
9 PLC ±.10		APPLICATION SPEC: 408-10294		
2 PLC ±0.10		WEIGHT: 24.36 g		
5 PLC ±0.013		CUSTOMER DRAWING		
4 PLC ±0.001		SCALE 2:1 SHEET 1 OF 2		
ANGLES ±0.001		REV D2		
FINISH		A100779C=1587831		

LOC	DIST	REVISIONS			
HW	00	REV	DATE	BY	APPD
		1	SEE SHEET 1		

	1587831-1 (KEY A)	1587831-2 (KEY B)	△ 1587831-3 (KEY C) OBSOLETE	1587831-4 (KEY D)	△ 1587831-5 (KEY E)	△ 1587831-6 (KEY F)
FRONT VIEW						
SIDE VIEW						
REAR VIEW						
INTERFACE VIEW - MOUNTING SIDE						
	KEY A MOUNTING INTERFACE SCALE 3:2	KEY B MOUNTING INTERFACE SCALE 3:2	OBSOLETE KEY C MOUNTING INTERFACE SCALE N/A	KEY D MOUNTING INTERFACE SCALE 3:2	KEY E MOUNTING INTERFACE SCALE 3:2	KEY F MOUNTING INTERFACE SCALE 3:2

THIS DRAWING IS A CONTROLLED DOCUMENT. DWN T. DEWILTE 25NOV2008

CHK T. DEWILTE

APVD

NAME HVA 280 2P HEADER ASSY W/HVIL CHART DRAWING

PRODUCT SPEC 108-2394

APPLICATION SPEC 408-10294

WEIGHT 24.36 g

CUSTOMER DRAWING

SCALE 2:1 SHEET 2 OF 2 REV D2

STE TE Connectivity

RESTRICTED TO