

# IP67 Sealed Toggle Switches

Highest quality for the most demanding applications



## 3000 Series

Standard 15/32" diameter bushing. Standard Bat length is .560".

Current Rating	Catalog No.		Action	Termination
15A -125VAC, 10A-250VAC	3005C	Fig 1	SPST on-none-off	.250" QC
15A -125VAC, 10A-250VAC	3005D	Fig 2	SPST on-none-off	6" Wire Leads, #16 Gauge
15A -125VAC, 10A-250VAC	3001C	Fig 1	SPDT on-none-on	.250" QC
15A -125VAC, 10A-250VAC	3001D	Fig 2	SPDT on-none-on	6" Wire Leads, #16 Gauge
15A -125VAC, 10A-250VAC	3002C	Fig 1	SPDT on-off-on	.250" QC
15A -125VAC, 10A-250VAC	3002D	Fig 2	SPDT on-off-on	6" Wire Leads, #16 Gauge

### 3000 Series Toggle

**Electrical Rating:** 15A - 125 VAC , 10A - 250 VAC

**Life Cycles:** 100,000 Electrical 100,000 Mechanical

**Operating Temp:** -10 °C to +65 °C

**Sealing:** seal tested per IP67 standards to withstand submersion in water to a depth of 1 meter for 30 minutes, Meets IP68

**Dielectric Strength** 1000 Volts RMS Minimum

**Mounting Means** 15/32" Bushing, Keyway .078 - .083 Wide X .037 - .043 Deep, Standard Hardware supplied

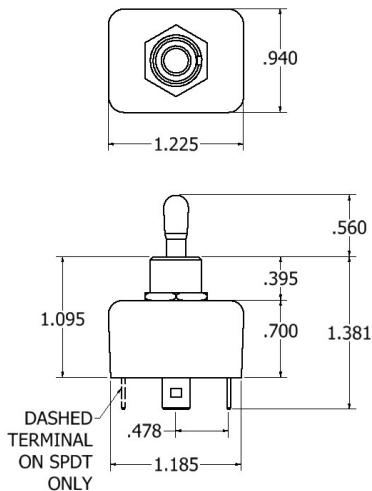


Fig 1

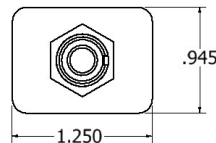
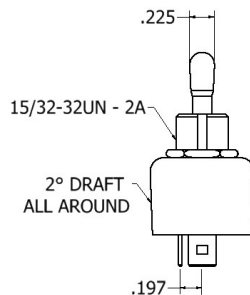
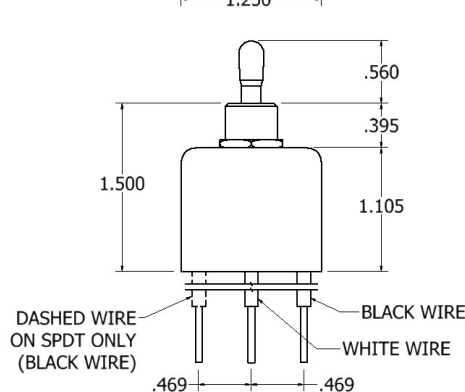


Fig 2



All Information subject to change without notice