

THIS DRAWING IS UNPUBLISHED. RELEASED FOR PUBLICATION 20
 © COPYRIGHT 20 BY TYCO ELECTRONICS CORPORATION. ALL RIGHTS RESERVED.

LOC	DIST	REVISIONS			
P	LTR	DESCRIPTION	DATE	DWN	APVD
GP	00	C	REVISED PER ECR-09-005763	20MAR2009	HMR RL

1. PART NUMBER CHANGES AND OR DESIGN CHANGES AFFECTING ITEM INTERCHANGEABILITY REQUIRE PRIOR TYCO ELECTRONICS APPROVAL AND AUTHORIZATION BY REVISION TO THIS DRAWING.

2. ITEMS PROVIDED TO THIS SPECIFICATION TO BE BAGGED AND TAG IDENTIFIED PER THE FOLLOWING IDENTIFIER:
 YEAR WEEK

TYCO ELECTRONICS P/N DATE CODE (e.g. 0425)
 XXXXXXXX-X XXXX

3 MATERIALS:
 INSULATOR: THERMOPLASTIC GLASS REINFORCED,
 COLOR: BLACK, UL94V-0 FLAMMABILITY

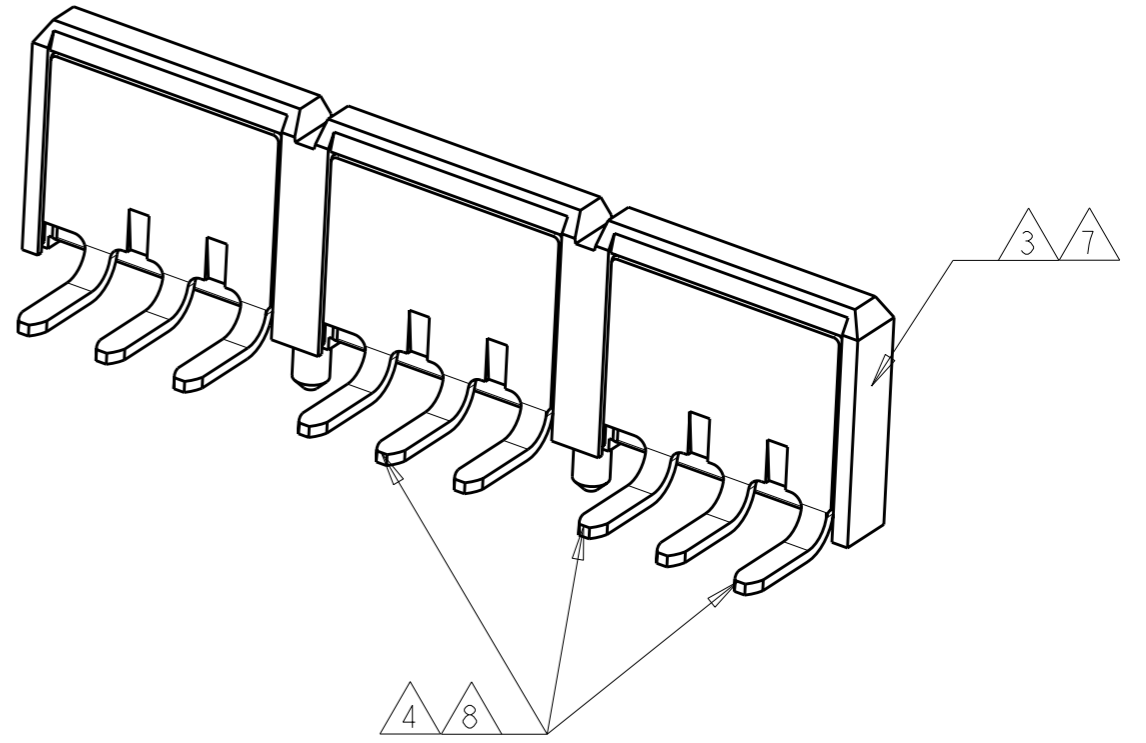
4 FINISH:
 CONTACT: SELECTIVELY GOLD PLATE 0.76µm MIN. THK.
 OVER NICKEL 1.27µm MIN THK.
 SOLDER TAILS: TIN PLATE 3.05µm MIN THK. OVER
 NICKEL 1.27µm MIN THK.

5. A REFERENCE DIMENSION (.XXX) IS WITHOUT TOLERANCE AND USED FOR INFORMATION PURPOSES ONLY.

6. SEE DRAWING C-6651712 FOR MATING SOCKET CONNECTOR.

7 MATERIALS:
 INSULATOR: THERMOPLASTIC, HIGH TEMPERATURE, GLASS REINFORCED,
 COLOR: BLACK, UL94V-0 FLAMMABILITY

8 CONTACTS: COPPER ALLOY



8	7	AS SHOWN	1926785-2
8	3	AS SHOWN	1926785-1
CONTACT MATERIAL	INSULATOR MATERIAL	DESCRIPTION	PART NO.

<small>THIS DRAWING IS A CONTROLLED DOCUMENT FOR TYCO ELECTRONICS CORPORATION IT IS SUBJECT TO CHANGE AND THE CONTROLLING ENGINEERING ORGANIZATION SHOULD BE CONTACTED FOR THE LATEST REVISION.</small>		DWN 14FEB2008 R. GRZYBOWSKI CHK 14FEB2008 P. DAMATO APVD 14FEB2008 S. FLICKINGER	Tyco Electronics Harrisburg, PA 17105-3608
DIMENSIONS: mm 	TOLERANCES UNLESS OTHERWISE SPECIFIED: 0 PLC ± 1 PLC ±0.5 2 PLC ±0.25 3 PLC ± 4 PLC ± ANGLES ±2	PRODUCT SPEC - APPLICATION SPEC - WEIGHT -	NAME MC-P3S0 MINI CROWN EDGE BLADE CONNECTOR, SURFACE MOUNT
MATERIAL SEE TABLE	FINISH 4	SIZE A3	CAGE CODE 00779
CUSTOMER DRAWING		DRAWING NO. C-1926785	RESTRICTED TO -
		SCALE 5:1	SHEET 1 OF 3 REV C

4

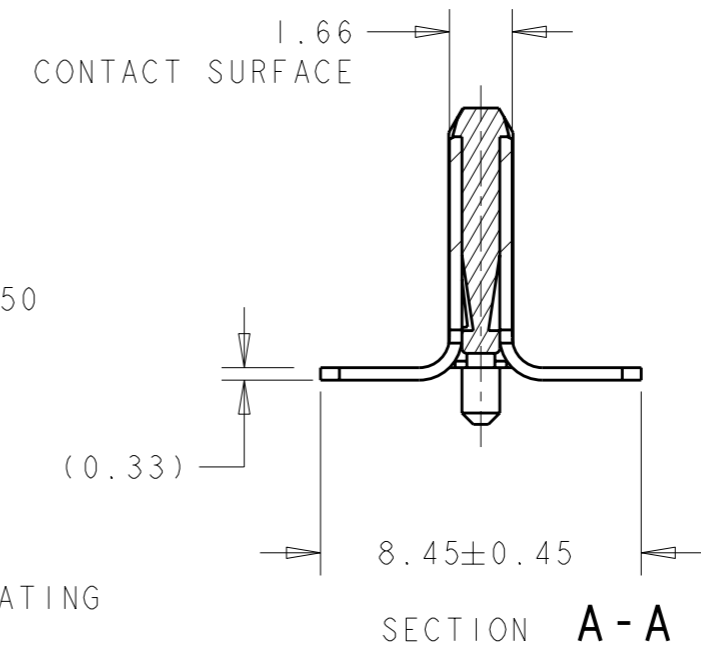
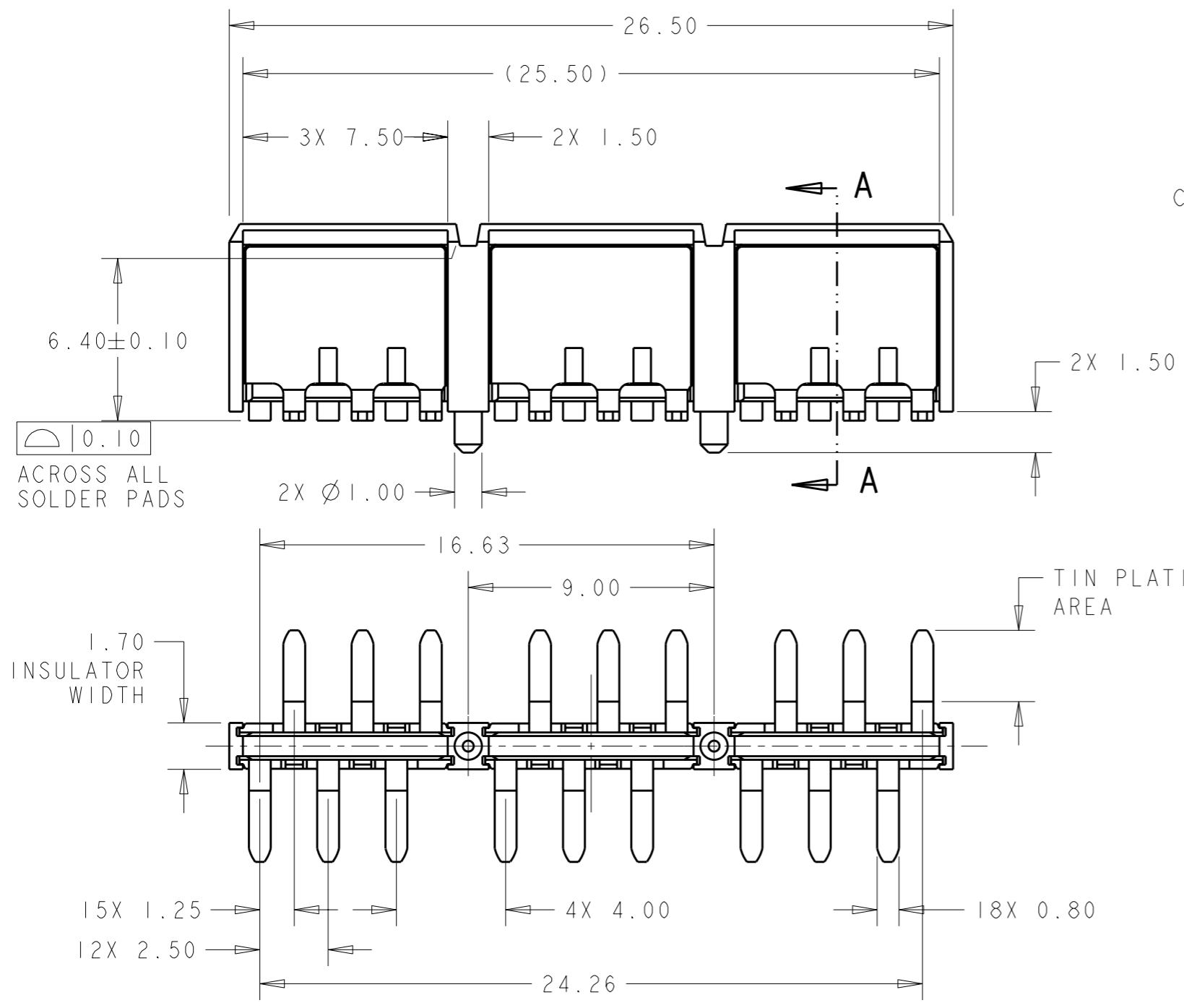
3

2

1

THIS DRAWING IS UNPUBLISHED. RELEASED FOR PUBLICATION 20
 © COPYRIGHT 20 BY TYCO ELECTRONICS CORPORATION. ALL RIGHTS RESERVED.

LOC	DIST	REVISIONS				
P	LTR	DESCRIPTION	DATE	DWN	APVD	
GP	00	-	SEE SHEET 1	-	-	

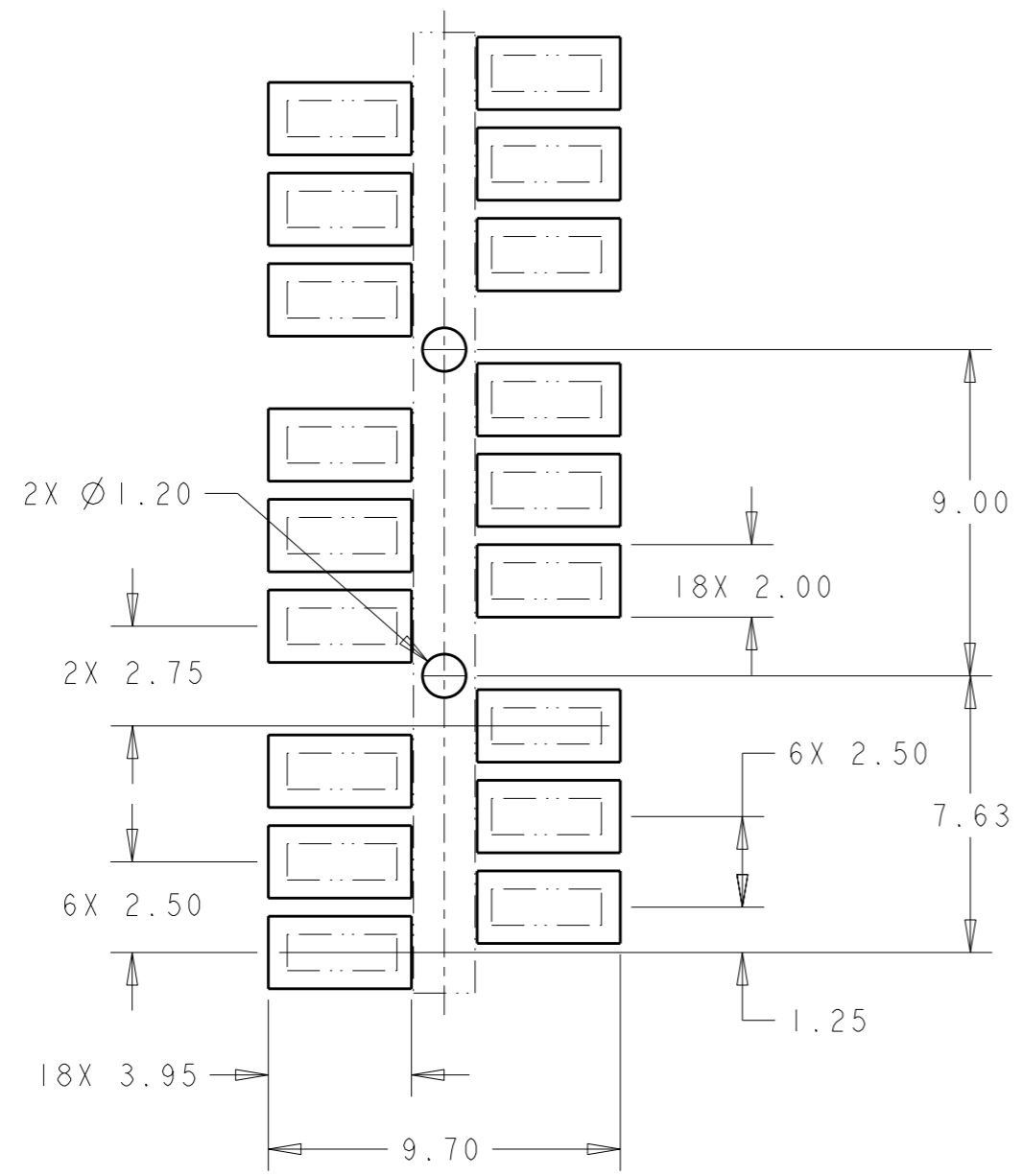


THIS DRAWING IS A CONTROLLED DOCUMENT FOR TYCO ELECTRONICS CORPORATION
 IT IS SUBJECT TO CHANGE AND THE CONTROLLING ENGINEERING ORGANIZATION
 SHOULD BE CONTACTED FOR THE LATEST REVISION.

DIMENSIONS: mm	TOLERANCES UNLESS OTHERWISE SPECIFIED: 0 PLC ± 1 PLC ±0.5 2 PLC ±0.25 3 PLC ± 4 PLC ± ANGLES ±2	DWN R. GRZYBOWSKI 14FEB2008 CHK P. DAMATO 14FEB2008 APVD S. FLICKINGER 14FEB2008	Tyco Electronics Harrisburg, PA 17105-3608	
MATERIAL -	FINISH -	PRODUCT SPEC - APPLICATION SPEC - WEIGHT -	NAME MC-P3S0 MINI CROWN EDGE BLADE CONNECTOR, SURFACE MOUNT SIZE A3 CAGE CODE 00779 DRAWING NO C-1926785 RESTRICTED TO -	
CUSTOMER DRAWING		SCALE 5:1	SHEET 2 OF 3	REV C

THIS DRAWING IS UNPUBLISHED. RELEASED FOR PUBLICATION 20
 © COPYRIGHT 20 BY TYCO ELECTRONICS CORPORATION. ALL RIGHTS RESERVED.

LOC	DIST	REVISIONS			
P	LTR	DESCRIPTION	DATE	DWN	APVD
GP	00	-	SEE SHEET 1	-	-



RECOMMENDED SOLDER LAND GUIDELINE
 AS VIEWED FROM CONNECTOR SIDE

THIS DRAWING IS A CONTROLLED DOCUMENT FOR TYCO ELECTRONICS CORPORATION
 IT IS SUBJECT TO CHANGE AND THE CONTROLLING ENGINEERING ORGANIZATION
 SHOULD BE CONTACTED FOR THE LATEST REVISION.

DIMENSIONS:	TOLERANCES UNLESS OTHERWISE SPECIFIED:
mm	
	0 PLC ±-
	1 PLC ±0.5
	2 PLC ±0.25
	3 PLC ±-
	4 PLC ±-
	ANGLES ±2
MATERIAL -	FINISH -

DWN	R. GRZYBOWSKI	14FEB2008
CHK	P. DAMATO	14FEB2008
APVD	S. FLICKINGER	14FEB2008
PRODUCT SPEC	-	
APPLICATION SPEC	-	
WEIGHT	-	
CUSTOMER DRAWING		

		Tyco Electronics Harrisburg, PA 17105-3608	
NAME MC-P3S0 MINI CROWN EDGE BLADE CONNECTOR, SURFACE MOUNT			
SIZE	CAGE CODE	DRAWING NO	RESTRICTED TO
A3	00779	C-1926785	-
SCALE 5:1		SHEET 3 OF 3	REV C