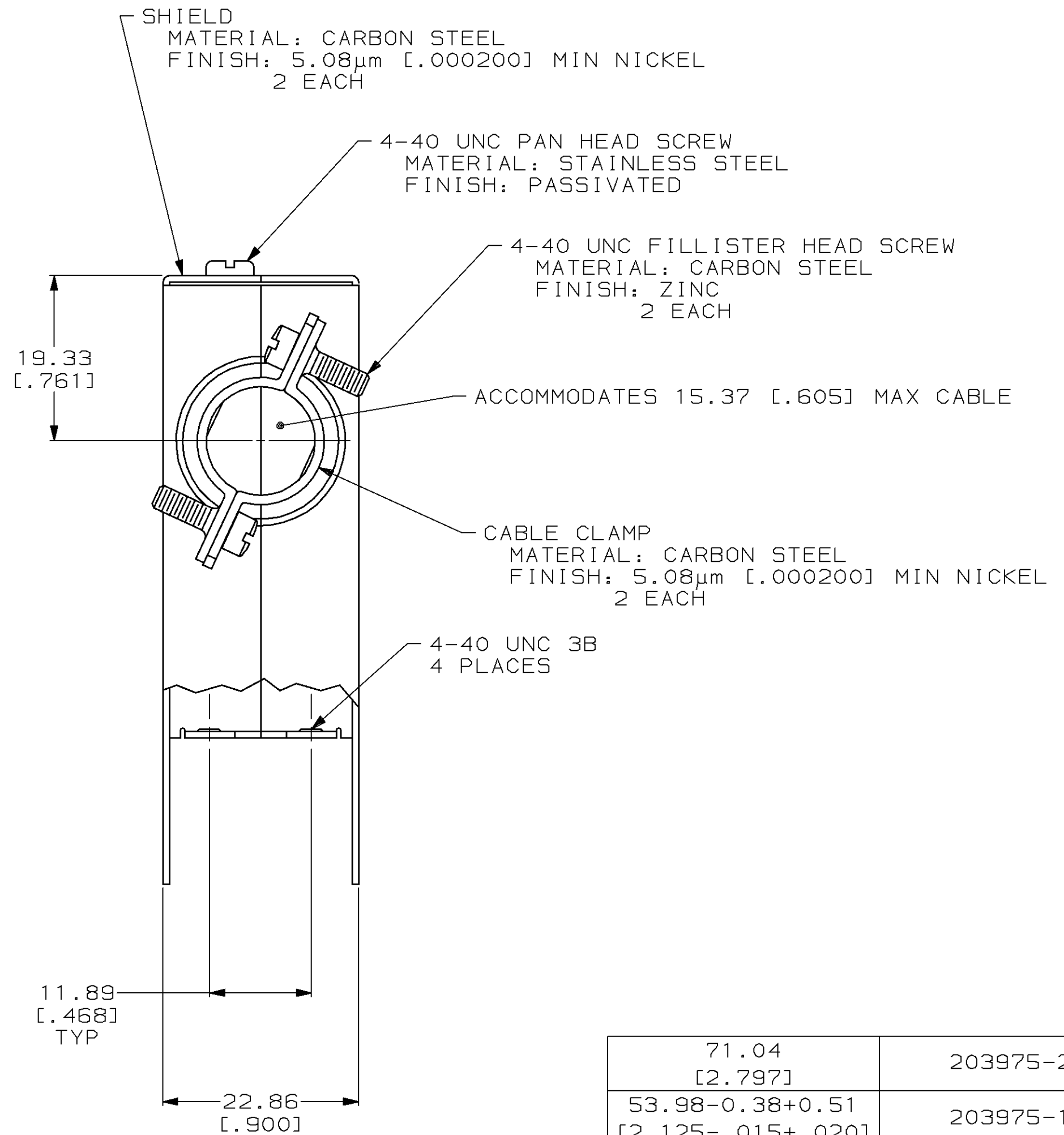
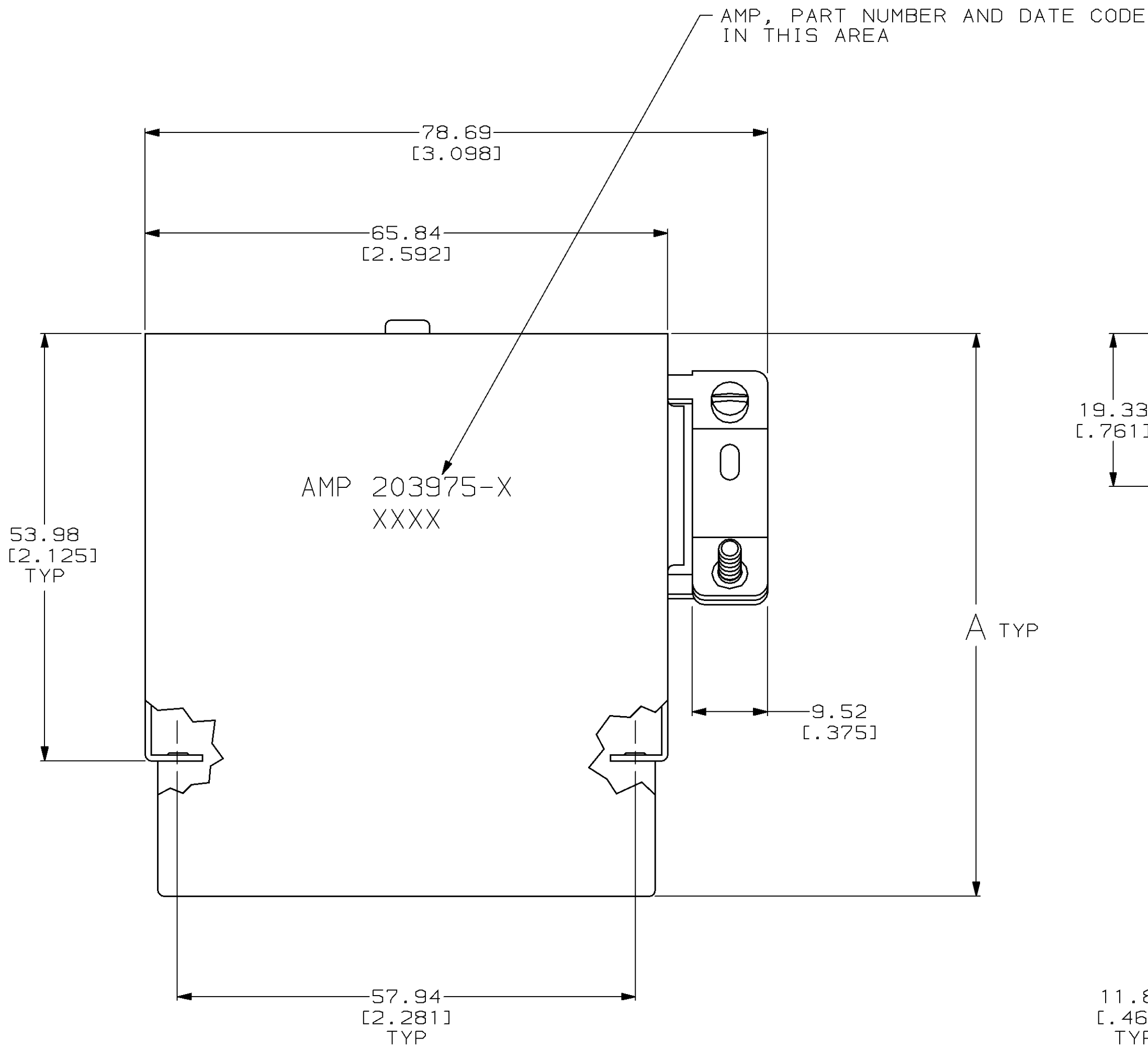


THIS DRAWING IS UNPUBLISHED. RELEASED FOR PUBLICATION
 BY AMP INCORPORATED. ALL RIGHTS RESERVED.

LOC	DIST	REVISIONS			
P	LTR	DESCRIPTION	DATE	DWN	APVD
BD	36	G	REDRAWN PER EC 0020-930-95	28 SEP 95	-



71.04 [2.797]	203975-2
53.98-0.38+0.51 [2.125-.015+.020]	203975-1
A	PART NUMBER

THIS DRAWING IS A CONTROLLED DOCUMENT FOR AMP INCORPORATED. IT IS SUBJECT TO CHANGE AND THE CONTROLLING ENGINEERING ORGANIZATION SHOULD BE CONTACTED FOR THE LATEST REVISION.		DWN C. DORWART 28 SEP 95	AMP Incorporated Harrisburg, PA 17105-3608
DIMENSIONS: mm [INCHES]		CHK R. STONE 02 OCT 95	
TOLERANCES UNLESS OTHERWISE SPECIFIED:		APVD G. STEINHAUER 04 OCT 95	
0 PLC ±- 1 PLC ±- 2 PLC ±0.38 [.015] 3 PLC ±- 4 PLC ±- ANGLES ±- FINISH ±-		NAME G. STEINHAUER	
MATERIAL SEE CALLOUTS	FINISH SEE CALLOUTS	PRODUCT SPEC -	APPLICATION SPEC -
		WEIGHT -	SIZE A2
		CUSTOMER DRAWING	CAGE CODE 00779
			DRAWING NO C-203975
			SCALE 2:1
			SHEET 1 OF 1
			REV G