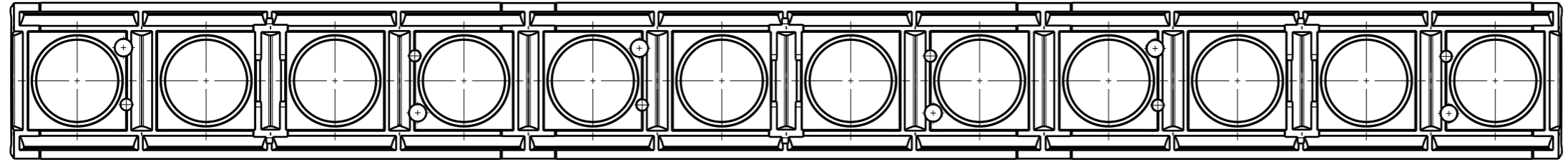


H G F E D C B A

4



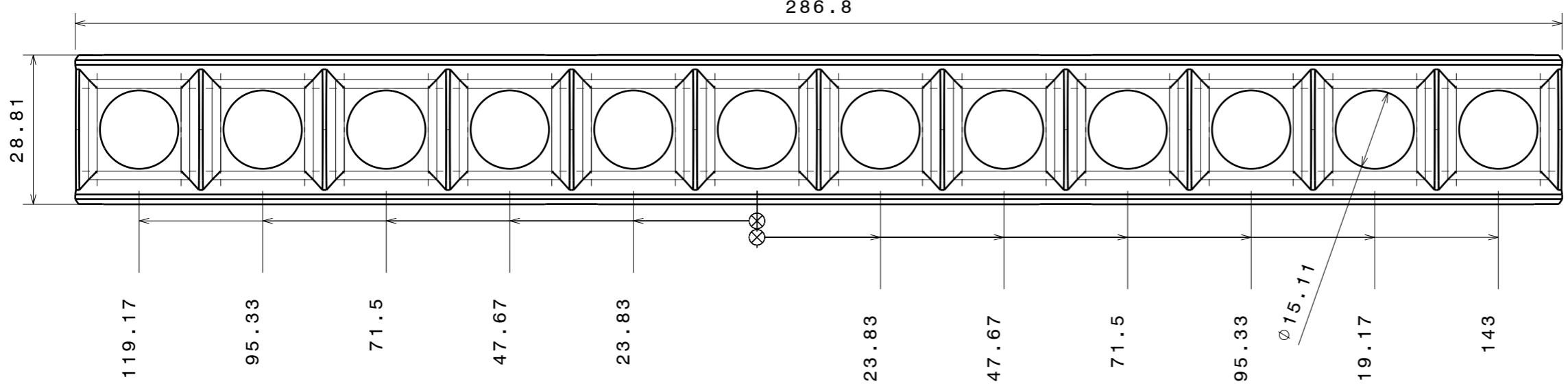
4

3



3

2



2

1

INDEX	PART NO	DESCRIPTION	MATERIAL	COLOUR
1			PC	black

Tolerances if not otherwise shown
According to DIN ISO 2768-1
Linear measures:
Up to 30mm class C, otherwise class C.
According to DIN ISO 2768-2
Form and position: class L

LEDiL LediL Oy
Salorankatu 10
FIN 24240 SALO
Finland

THIRD ANGLE PROJECTION:

DRAWING TITLE
Datasheet FLORENTINA-SHD

DRAWN BY
pasi.vallevuori

DATE
4.9.2014

CHECKED BY

SIZE
A3

DESIGNED BY

DATE

PART NUMBER
C14446

SCALE 1:1 WEIGHT 41,3 g SHEET

LEDiL PROPRIETARY

This drawing is the property of LEDiL Oy. It may not be reproduced, copied or communicated without a written agreement with LEDiL Oy.

H G B A