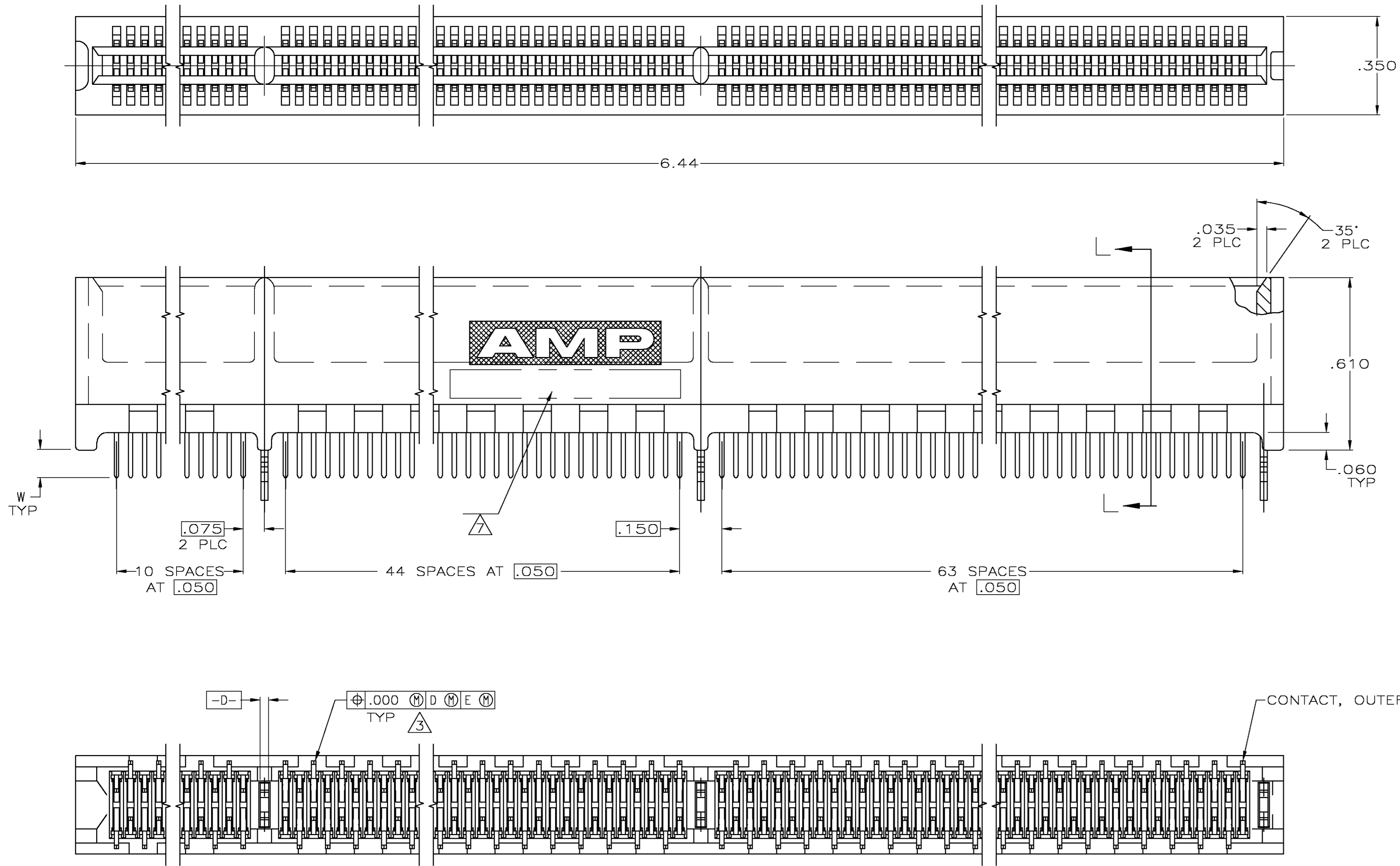
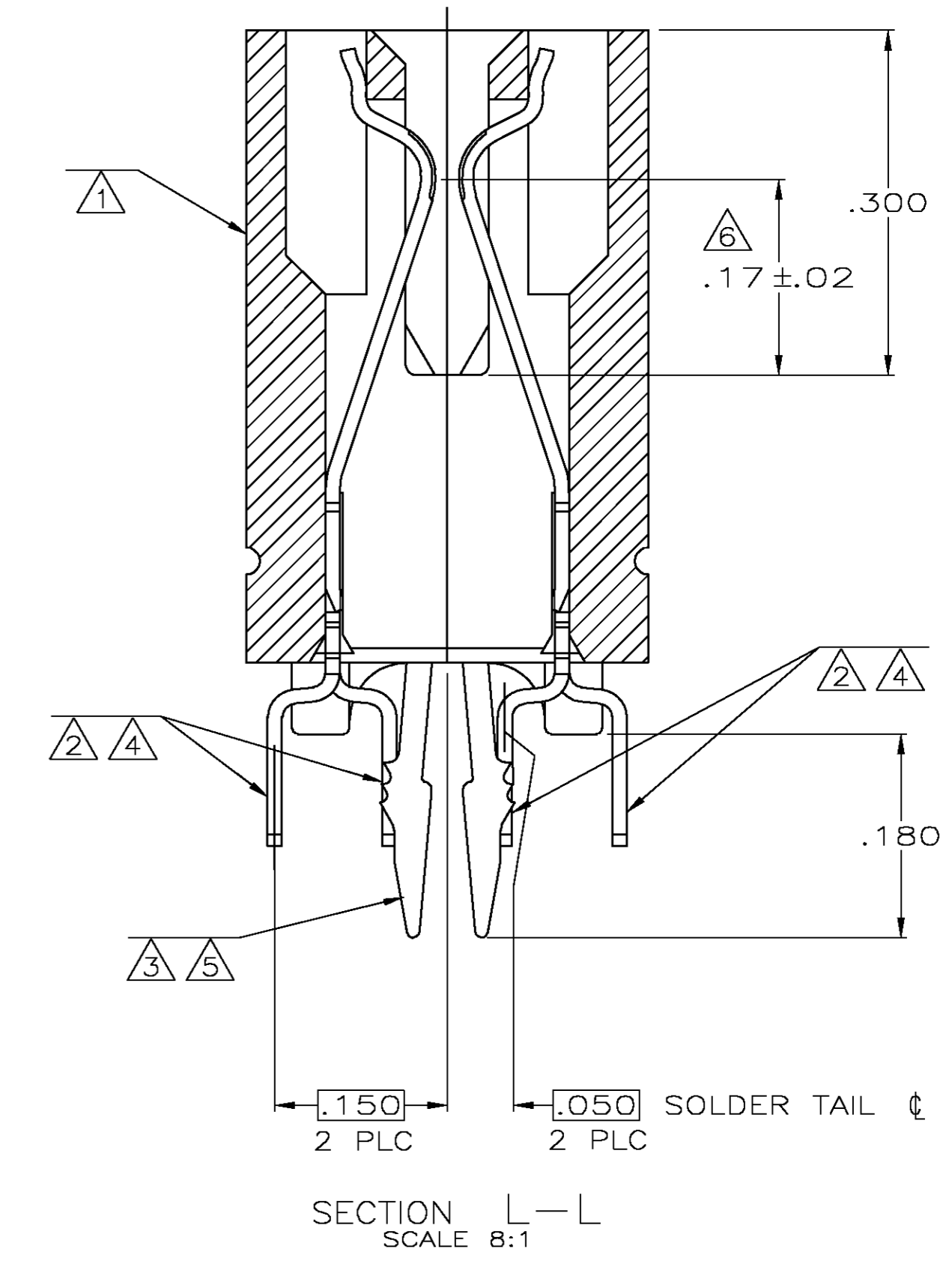


LOC		DIST		REVISIONS			
F	L/R	DESCRIPTION	DATE	DRN	APVD		
0		RELEASED PER EC 0512-0287-04	22 JUN 05	AWF	AWF		



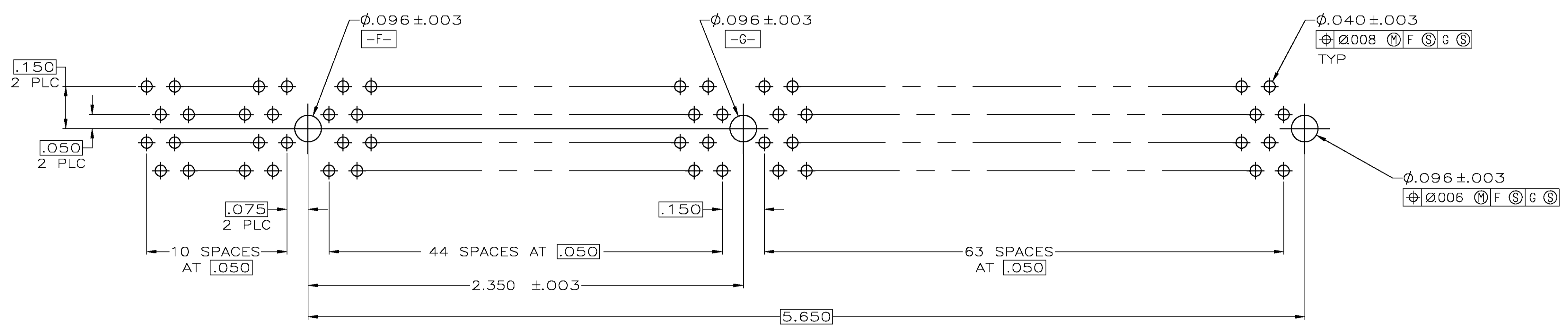
- ① HOUSING: HIGH TEMPERATURE THERMOPLASTIC. COLOR: BROWN.
- ② CONTACT: PHOSPHOR BRONZE.
- ③ METAL HOLD DOWN: BRASS
- ④ CONTACT FINISH: .000100 MIN NICKEL ALL OVER.
.000030 MIN GOLD OVER NICKEL IN CONTACT AREA.
.000100 MIN MATTE TIN OVER NICKEL ON SOLDER TAILS.
- ⑤ METAL HOLD DOWN FINISH: .000050 MIN NICKEL ALL OVER.
.000150 MIN MATTE TIN OVER NICKEL ALL OVER.
- ⑥ DISTANCE FROM CONTACT POINT TO BOTTOM OF CARD SLOT.
- ⑦ AMP PART NUMBER, DATE CODE AND CSA LOGO MARKED IN APPROXIMATE AREA SHOWN.



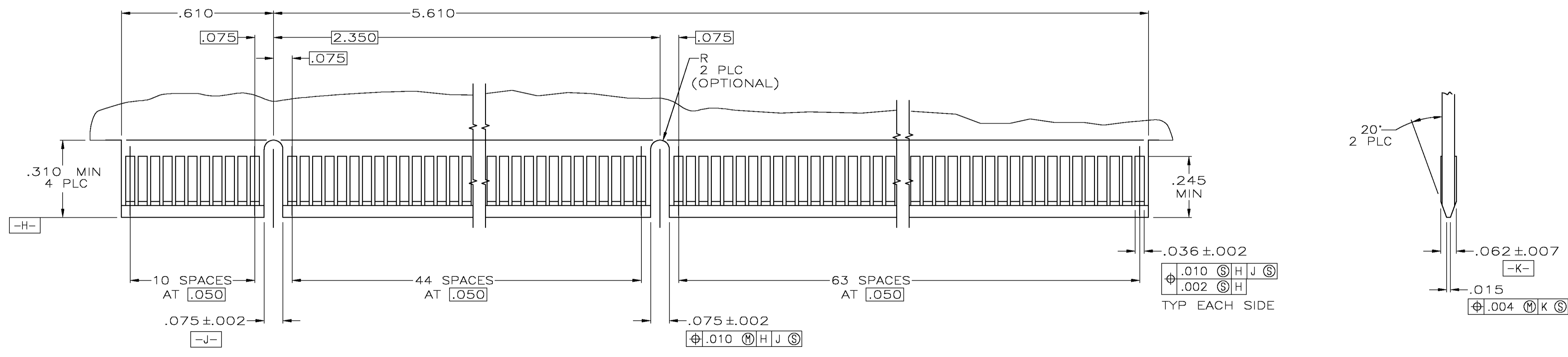
SEE SHEET 2 FOR HOLE PATTERN

.14	5145031-3
W	PART NUMBER

THIS DRAWING IS A CONTROLLED DOCUMENT.		DRN AL FRANTUM 22 JUN 05		Tyco Electronics Corporation Harrisburg, Pa 17105-3608	
DIMENSIONS: INCHES		CHK AL FRANTUM 22 JUN 05		APVD	NAME
TOLERANCES UNLESS OTHERWISE SPECIFIED:		PRODUCT SPEC		CONNECTOR ASSEMBLY, 120 DUAL POSITION, .050 SERIES,	
0 PLC ± -		108-14034		SIZE	
1 PLC ± -		APPLICATION SPEC		CAGE CODE	
2 PLC ± .01		114-26012		DRAWING NO	
3 PLC ± .005		WEIGHT		A1 00779	
4 PLC ± -		CUSTOMER DRAWING		C=5145031	
ANGLES ± 2		SCALE 4:1		SHEET 1 OF 2	
FINISH		REV 0			



RECOMMENDED CONNECTOR MOUNTING HOLE PATTERN
 (CONNECTOR SIDE SHOWN)



RECOMMENDED MATING BOARD EDGE CONFIGURATION

THIS DRAWING IS A CONTROLLED DOCUMENT.		DNW AL FRANTUM 22 JUN 05	 Tyco Electronics Corporation Harrisburg, Pa 17105-3608
DIMENSIONS: INCHES		CHK AL FRANTUM 22 JUN 05	
TOLERANCES UNLESS OTHERWISE SPECIFIED:		APVD	NAME
0 PLC ± - 1 PLC ± - 2 PLC ± .01 3 PLC ± .005 4 PLC ± - ANGLES ± - Z		PRODUCT SPEC 108-14034	CONNECTOR ASSEMBLY, 120 DUAL POSITION, .050 SERIES,
MATERIAL SEE SHEET 1		FINISH SEE SHEET 1	RESTRICTED TO
WEIGHT		SIZE A1	CAGE CODE 00779
CUSTOMER DRAWING		DRAWING NO 5145031	SCALE 4:1
		SHEET 2	OF 2
		REV 0	