

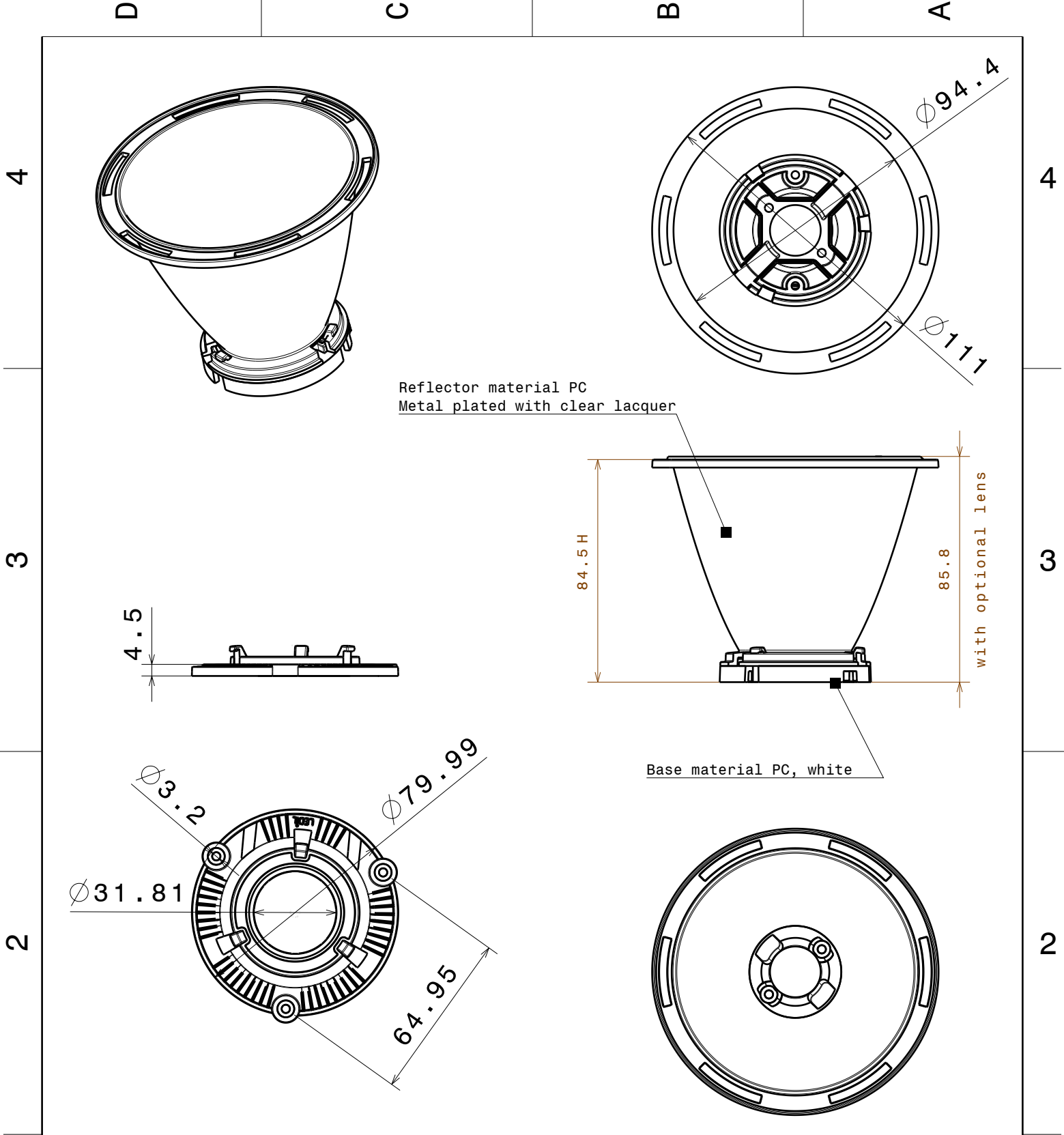
## DETAILS

<b>Product Number</b>	CN12302_LENA-M
<b>Family</b>	Lena
<b>Type</b>	RefPack
<b>Color</b>	metal
<b>Diameter</b>	111 mm
<b>Height</b>	85,6 mm
<b>Style</b>	round
<b>Optic Material</b>	
<b>Holder Material</b>	
<b>Fastening</b>	screw
<b>Status</b>	production ready
<b>ROHS Compliant</b>	Yes
<b>Date Updated</b>	23/02/2014

## OPTICAL PROPERTIES

LED	Viewing Angle	Light Beam	Effi- ciency	cd/lm	Connector
BXRA RS	28 deg	Medium	84 %	-	-





This drawing is our property.  
It can't be reproduced  
or communicated without  
our written agreement.



Ledil Oy  
Salorankatu 10  
FIN-24240 SALO  
Finland

DRAWING TITLE

Datasheet Lena-BXRA-RS-assembly

DRAWN BY  
ah

DATE  
10.1.2012

CHECKED BY  
pl

DATE  
10.1.2012

SIZE  
A4

DRAWING NUMBER

REV  
2

DESIGNED BY  
pl

DATE  
01.04.2011

SCALE

1:2

WEIGHT (g)

SHEET

1/1

D

A

**NOTE: The typical divergence will be changed by different color, chip size and chip position tolerance. The typical total divergence is the full angle measured where the luminous intensity is half of the peak value.**