

THIS DRAWING IS UNPUBLISHED.

RELEASED FOR PUBLICATION

LOC

DIST

REVISIONS

© COPYRIGHT - By -

ALL RIGHTS RESERVED.

E

B

P

LTR

DESCRIPTION

DATE

DWN

APVD

C

REVISED PER ECO-14-000651

05FEB2014

AP

SB

1 FOR LOCAL DATA REFER TO YOUR LOCAL TE CONNECTIVITY SALES OFFICE.

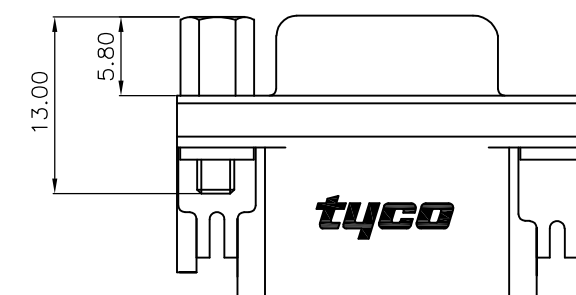
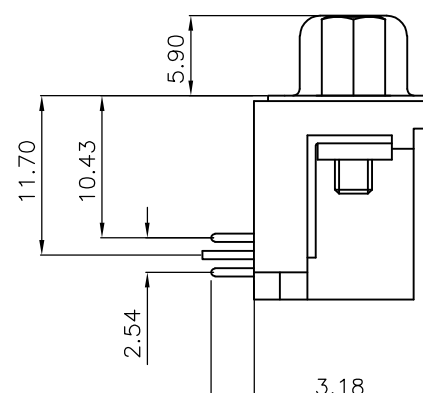
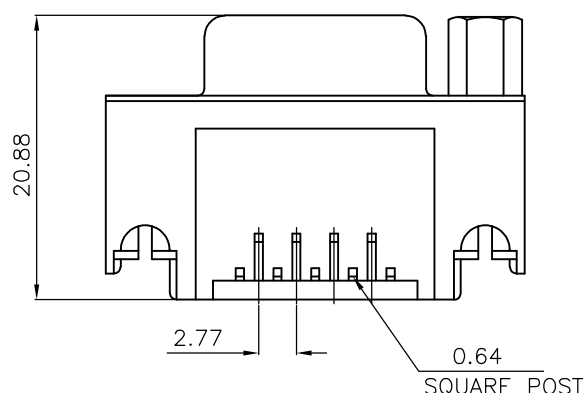
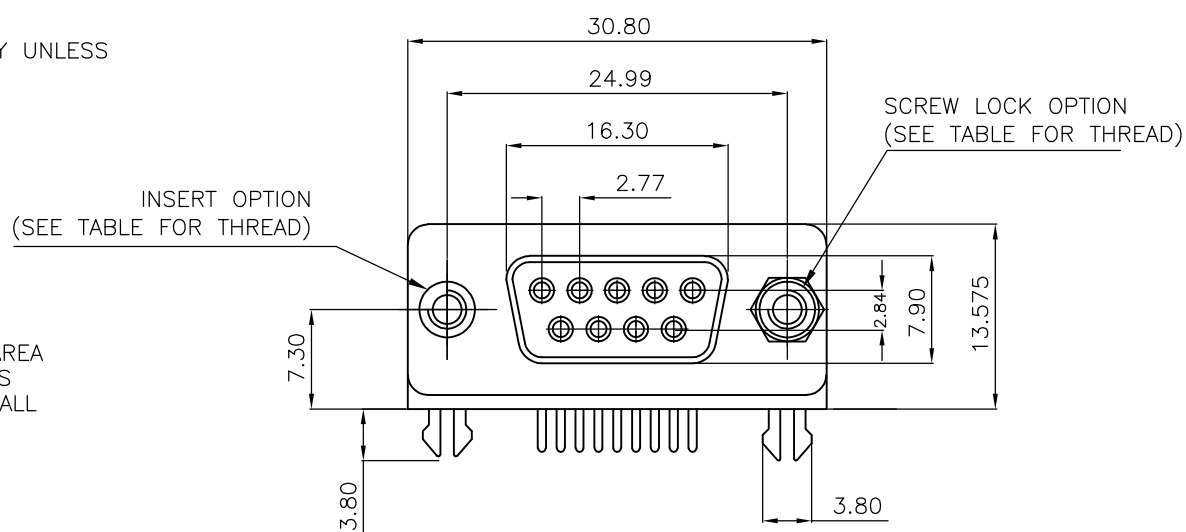
2 ALL DIMENSIONS ARE NOMINAL FOR REFERENCE ONLY UNLESS OTHERWISE STATED.

3 MATERIAL : HOUSING : THERMOPLASTIC, UL94V-0 BLACK COLOR CONTACTS : PHOSPER BRONZE SHELL : STEEL BOARDLOCK : BRASS SCREW : BRASS

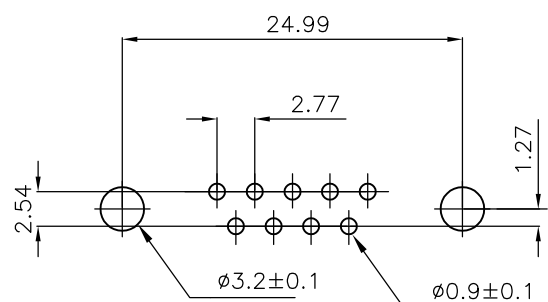
4 FINISH : CONTACT : 0.38µm MIN.GOLD PLATED ON CONTACT AREA 2.54µm MIN. TIN PLATED ON SOLDER TAILS 1.27µm MIN. NICKEL UNDERPLATED OVERALL SHELL : 2.54 µm MIN NICKEL PLATED. BOARD LOCK : 1.52µm MIN. TIN PLATED SCREW : 1.27µm MIN. NICKEL PLATED.

5 CHARACTERISTICS CURRENT RATING : 5A INSULATION RESISTANCE : 1000MOHMS MIN, 500VDC FOR 2MINS. TEMPERATURE RATING : -55DEGC ~ +105DEGC VOLTAGE RATING : 250VDC

6 OBSOLETE PARTS: OBSOLETE CIS STREAMLINING PER D.RENAUD/D.SINISI.



P.C.B. LAYOUT



6 OBSOLETE	9 WAY D SOCKET WITH BOARD LOCKS & 2 x M3 SCREW LOCKS, 0.38µm GOLD, RIGHT ANGLE	4-1634584-2
	9 WAY D SOCKET WITH BOARD LOCKS & 2 x 4-40 SCREW LOCKS, 0.38µm GOLD, RIGHT ANGLE	3-1634584-2
6 OBSOLETE	9 WAY D SOCKET WITH BOARD LOCKS & 2 x M3 INSERTS, 0.38µm GOLD, RIGHT ANGLE	2-1634584-2
	9 WAY D SOCKET WITH BOARD LOCKS & 2 x 4-40 INSERTS, 0.38µm GOLD, RIGHT ANGLE	1-1634584-2
	DESCRIPTION	PART NO.

THIS DRAWING IS A CONTROLLED DOCUMENT.		DWN	J.SANDWELL	15SEP2003	STE TE Connectivity		
DIMENSIONS: mm		CHK	S.EBBUTT	15SEP2003			
TOLERANCES UNLESS OTHERWISE SPECIFIED:		APVD	F.WHEELER-KING	15SEP2003	NAME		
0 PLC ± -		PRODUCT SPEC			9 WAY D-SUB SOCKET WITH BOARD LOCK		
1 PLC ± -		APPLICATION SPEC			-		
2 PLC ± -		WEIGHT			-		
3 PLC ± -		SIZE			A3		
4 PLC ± -		CAGE CODE			00779		
ANGLES ± -		DRAWING NO			C-1634584		
FINISH -		RESTRICTED TO			-		
MATERIAL SEE NOTE		CUSTOMER DRAWING			SCALE NTS		
		SHEET			1 OF 2		
		REV			C		

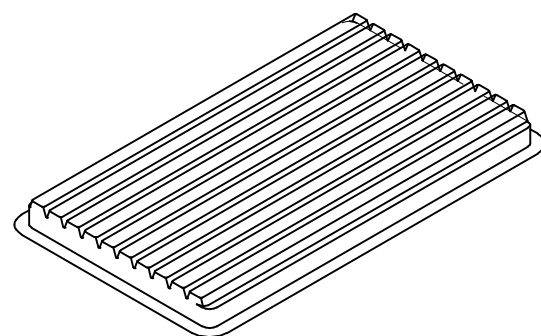
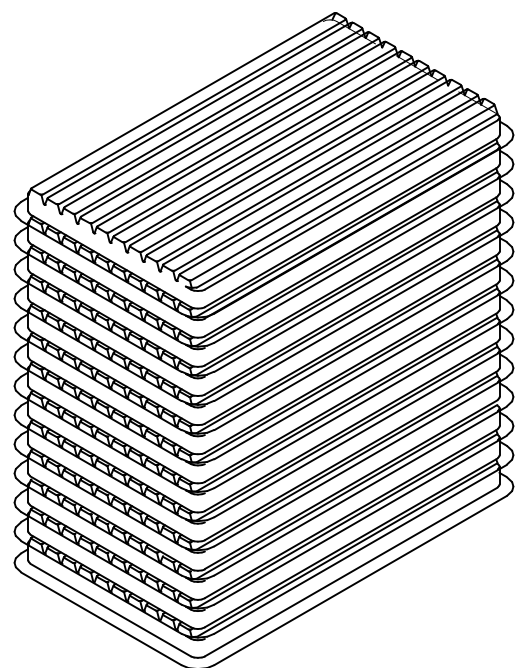
THIS DRAWING IS UNPUBLISHED.

RELEASED FOR PUBLICATION

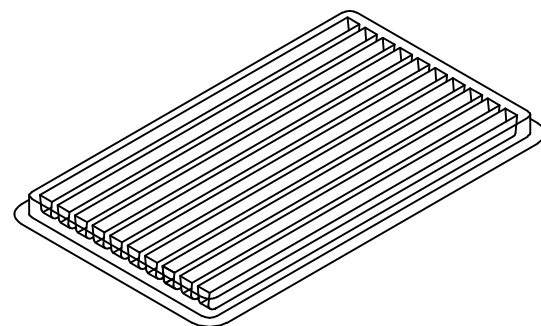
© COPYRIGHT - By -

ALL RIGHTS RESERVED.

LOC	DIST	REVISIONS			
P	LTR	DESCRIPTION	DATE	DWN	APVD
	-	SEE SHEET 1	-	-	-



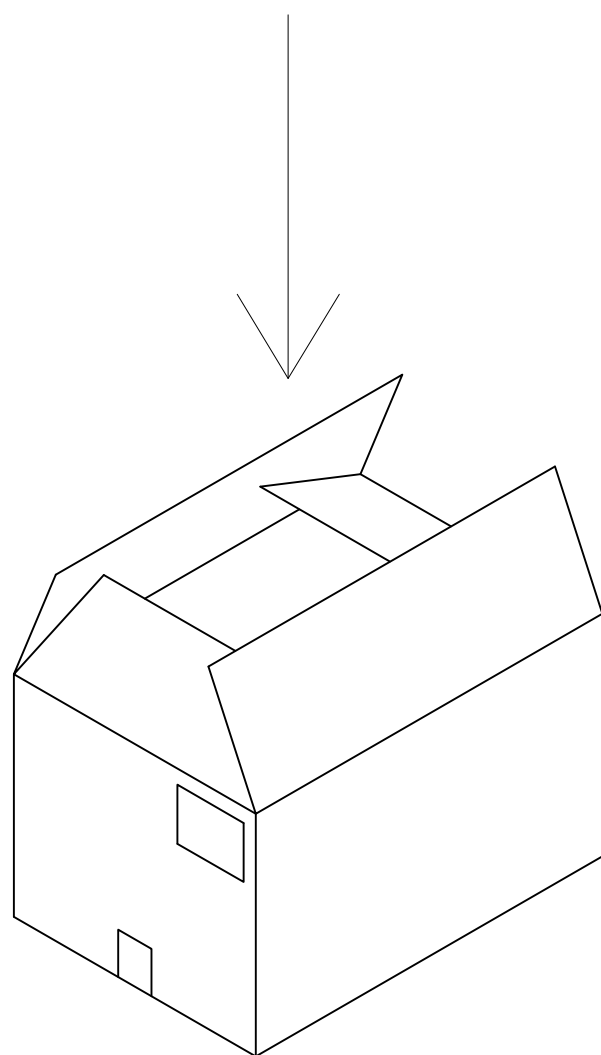
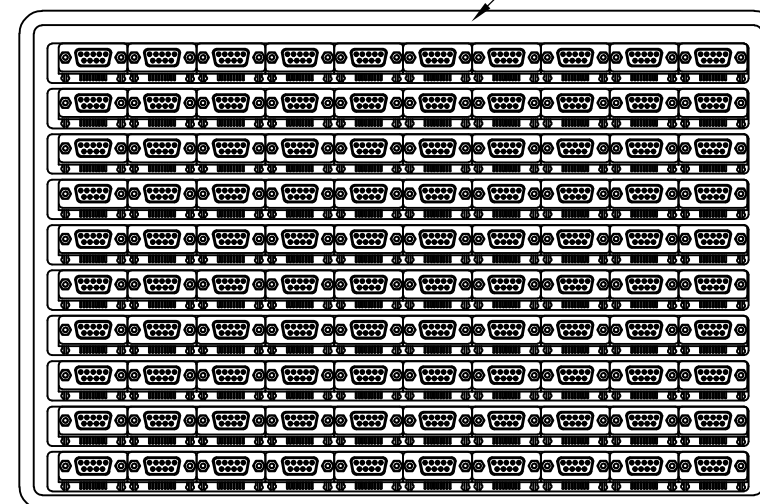
COVER


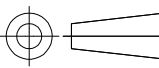


TRAY

- 1 DIMENSION:
TRAY:L=310,W=220,H=23
SHIPPING BOX:L=335,W=230,H=320
- 2 QUANTITY:
90 PCS/TRAY
13 TRAY/SHIPPING BOX

Tray Layout



THIS DRAWING IS A CONTROLLED DOCUMENT.		DWN J.SANDWELL 15SEP2003	 TE Connectivity		
DIMENSIONS: mm		CHK S.EBBUTT 15SEP2003			
		APVD F.WHEELER-KING 15SEP2003	NAME 9 WAY D-SUB SOCKET WITH BOARD LOCK		
TOLERANCES UNLESS OTHERWISE SPECIFIED:		PRODUCT SPEC	-		
0 PLC ± -		APPLICATION SPEC	-		
1 PLC ± -		WEIGHT	-		
2 PLC ± -		SIZE	CAGE CODE	DRAWING NO	RESTRICTED TO
3 PLC ± -		A3 00779		C-1634584	-
4 PLC ± -		CUSTOMER DRAWING			
ANGLES ± -		SCALE	SHEET	REV	
FINISH		NTS	2 OF 2	C	
MATERIAL SEE NOTE					