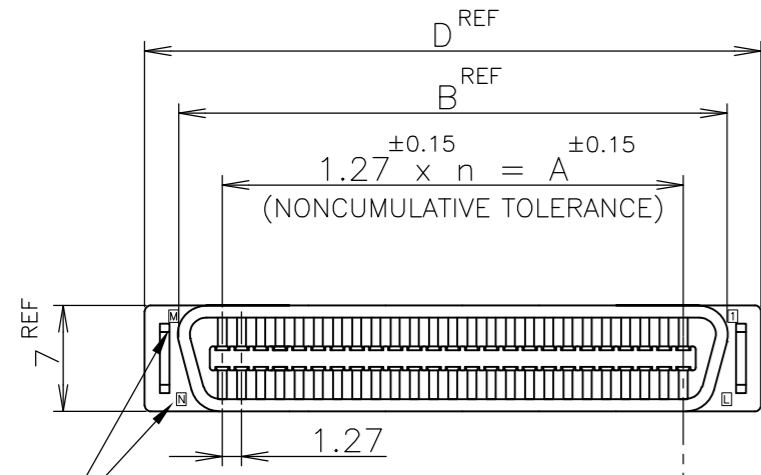
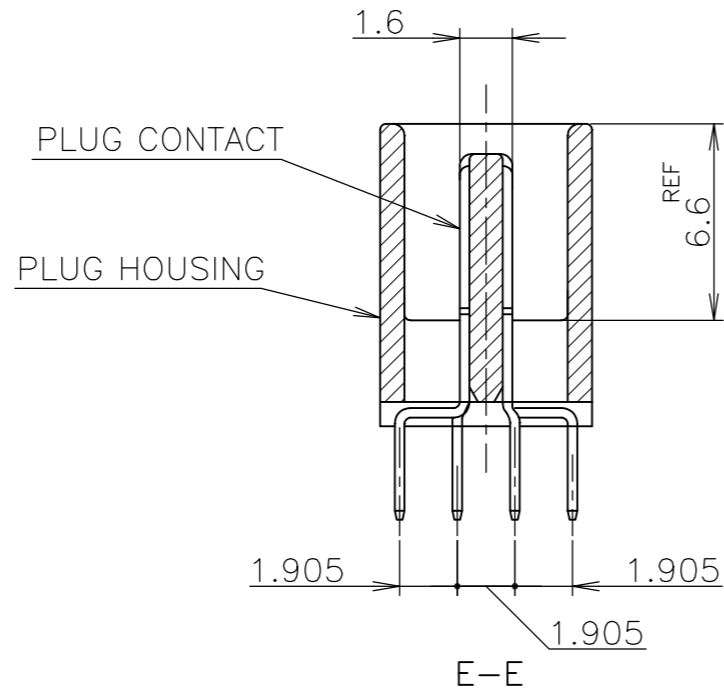
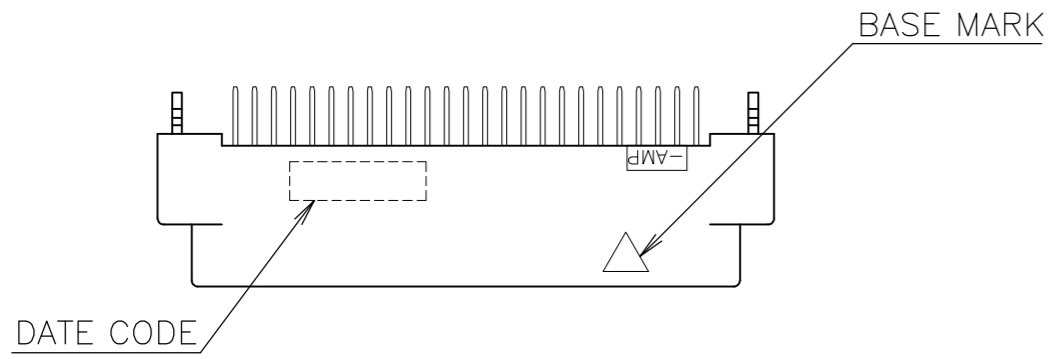
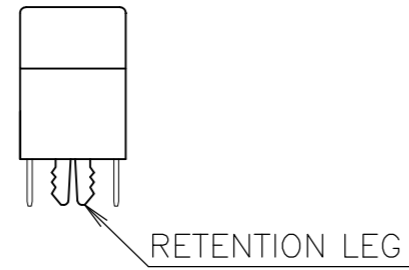
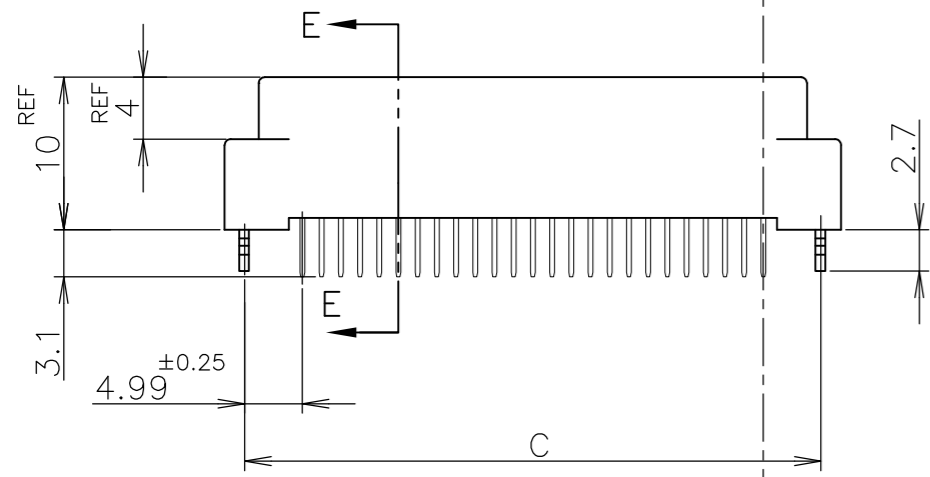


THIS DRAWING IS UNPUBLISHED. RELEASED FOR PUBLICATION OCT., 1988.  
 © COPYRIGHT 1988 A1 ALL RIGHTS RESERVED.

LOC		DIST		REVISIONS				
P	LTR	DESCRIPTION			DATE	DWN	APVD	
B		REVISED PER ECO-12-012349			14MAR13	BL	AC	



CIRCUIT NO.  
 L; (POS/2)+1  
 M; POS/2  
 N; POS



20, 40, 60, 68, 80  
 100, 120 POS.

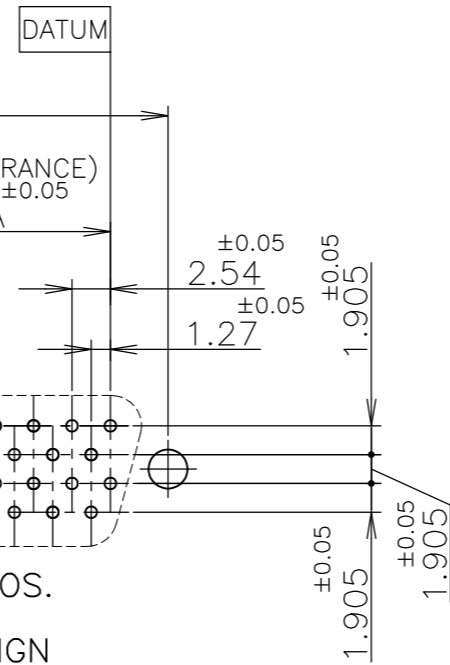
30, 50, 130 POS.

DATUM

20, 40, 60, 68, 80  
 100, 120 POS.

30, 50, 130 POS.

P.C. BOARD DESIGN  
 (CONNECTOR MOUNT SIDE)



LEAD FREE

GENERAL TOLERANCE  
 10 ≥ : ±0.2  
 30 > 10: ±0.25  
 100 ≥ > 30: ±0.3  
 ANGLES: ±3°

- 1 NUMBER "n" S COUNTED FROM DATUM (CIRCUIT NO.1 IS "AMP" MARK SIDE.)
- 2 MATERIAL: HOUSING; 66 NYLON (GF) UL 94V-0, BLACK.  
 : CONTACT; PHOSPHOR BRONZE.  
 : RETENTION LEG; BRASS.
- 3 FINISH: CONTACT; Au AT CONTACT AREA (SEE TABLE),  
 TIN AT TINE OVER Ni.  
 RETENTION LEG; TIN UNDER Ni.

POS.	n	A	B	C	D		
6-	-2	130	64	81.28	89.62		
6-	-1	120	59	74.93	83.27		
6-	-0	100	49	62.23	70.57		
5-	-9	80	39	49.53	57.87		
5-	-8	68	33	41.91	50.25		
5-	-7	60	29	36.83	45.17		
5-	-6	50	24	30.48	38.82		
5-	-5	40	19	24.13	32.47		
5-	-3	30	14	17.78	26.12		
5-	-1	0.00076	20	9	11.43		
4-	-2	130	64	81.28	89.62		
4-	-1	120	59	74.93	83.27		
4-	-0	100	49	62.23	70.57		
3-	-9	80	39	49.53	57.87		
3-	-8	68	33	41.91	50.25		
3-	-7	60	29	36.83	45.17		
3-	-6	50	24	30.48	38.82		
3-	-5	40	19	24.13	32.47		
3-	-3	30	14	17.78	26.12		
3-	-1	0.0005	20	9	11.43		
1-	-2	130	64	81.28	89.62		
1-	-1	120	59	74.93	83.27		
1-	-0	100	49	62.23	70.57		
	-9	80	39	49.53	57.87		
	-8	68	33	41.91	50.25		
	-7	60	29	36.83	45.17		
	-6	50	24	30.48	38.82		
	-5	40	19	24.13	32.47		
	-3	30	14	17.78	26.12		
5175473-1	0.0002	20	9	11.43	19.77		
PART NO.	Au PLATE	POS.	n	A	B	C	D

THIS DRAWING IS A CONTROLLED DOCUMENT.

DWN: Julyee Zhu 19AUG2004  
 CHK: Steven Yao 19AUG2004  
 APVD: Ikuo Enomoto 19AUG2004

NAME: AMP CHAMP .050 CONNECTOR (B-T-B) PLUG CONNECTOR (VERTICAL WITH RETENTION LEG)

PRODUCT SPEC: 108-60038  
 APPLICATION SPEC

SIZE: A2 CAGE CODE: 00779 DRAWING NO: 5175473 RESTRICTED TO

WEIGHT: CUSTOMER DRAWING SCALE: NTS SHEET: 1 OF 1 REV: B