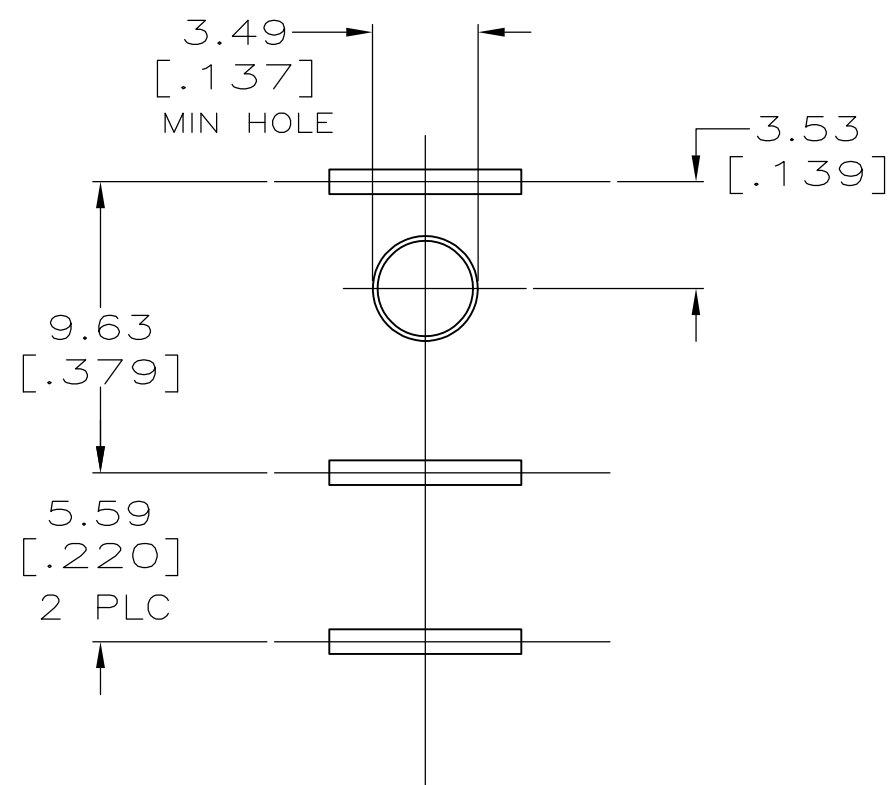
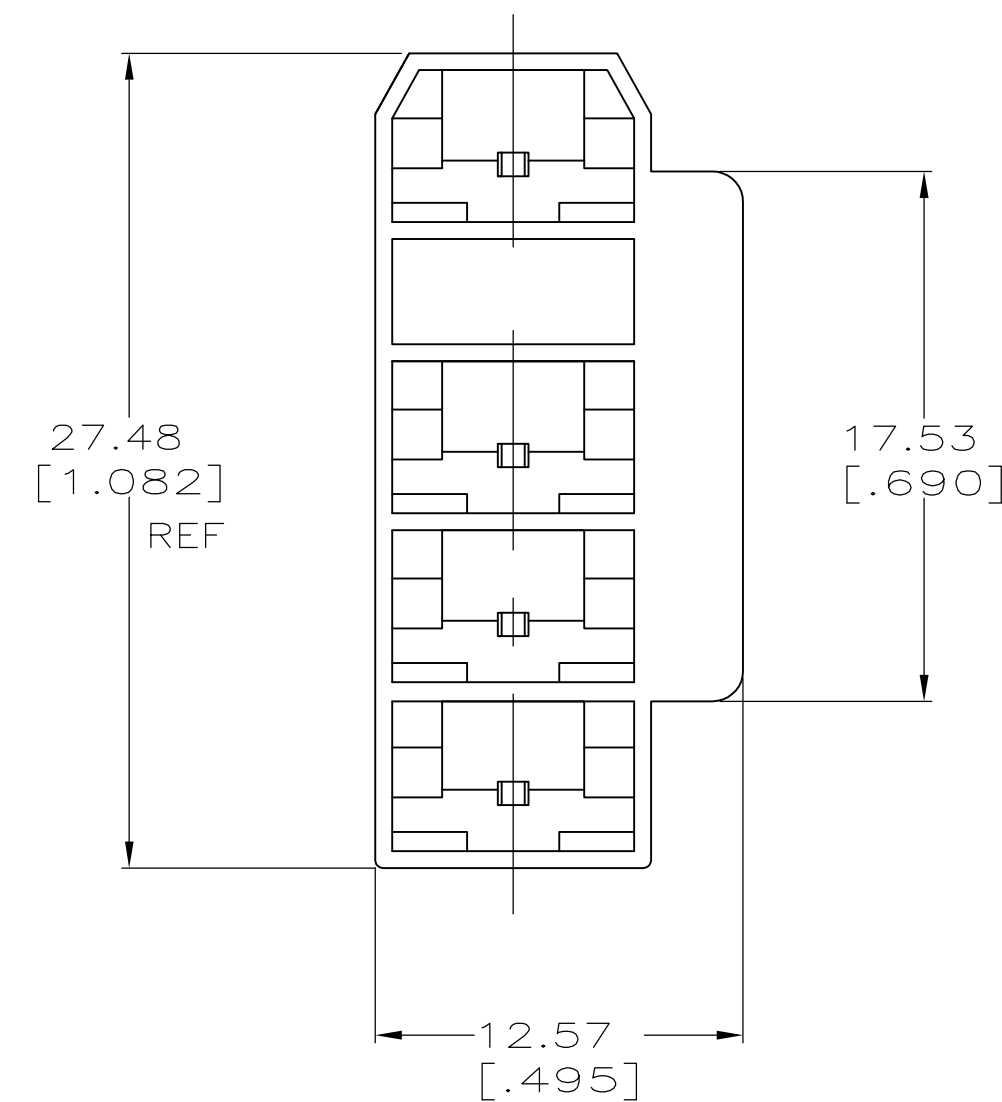
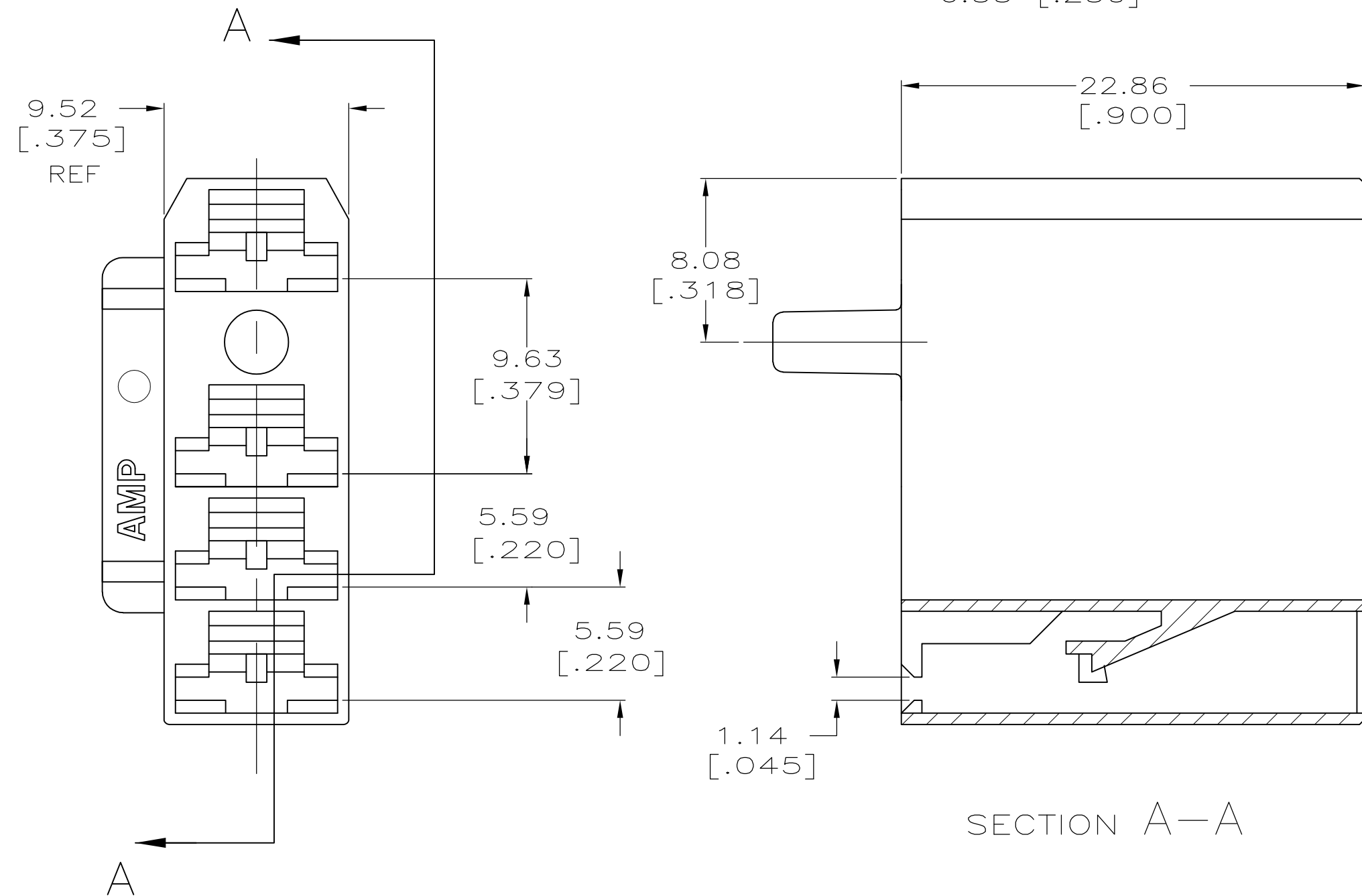
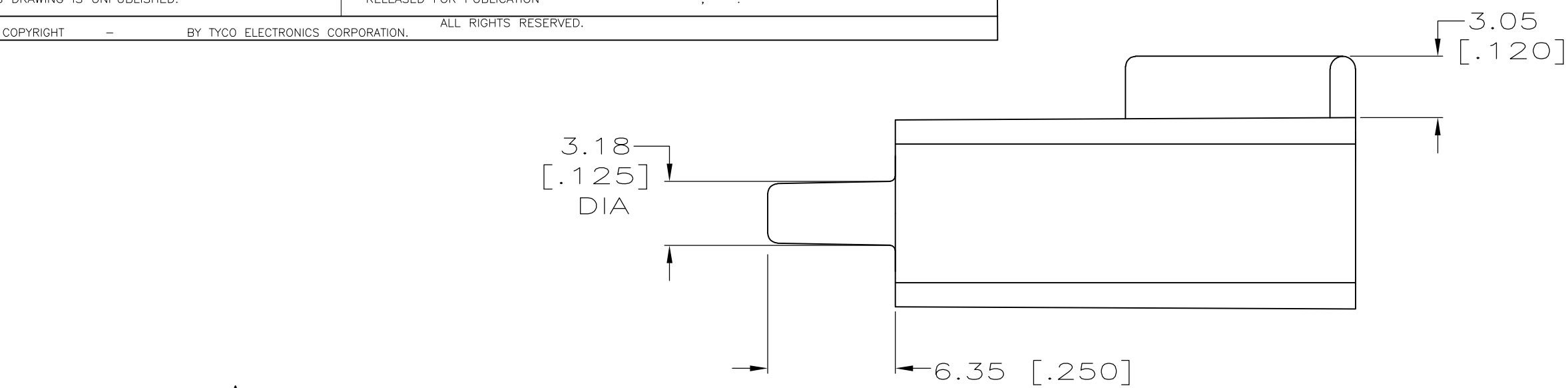


THIS DRAWING IS UNPUBLISHED. RELEASED FOR PUBLICATION  
 © COPYRIGHT BY TYCO ELECTRONICS CORPORATION. ALL RIGHTS RESERVED.

LOC	DIST	REVISIONS			
P	LTR	DESCRIPTION	DATE	DWN	APVD
AF	50	B6	REVISED PER ECR-09-027342	18DEC09	HMR PD

1 FOR USE WITH TYCO ELECTRONICS 250 SERIES LOW INSERTION RECEPTACLES.  
 2 PRELIMINARY - NOT FOR PRODUCTION



NATURAL	66/6 NYLON, V0	521066-3
NATURAL	6/6 NYLON, V0	2 521066-2
BLACK	6/6 NYLON	521066-1
FINISH	MATERIAL	PART NO.

THIS DRAWING IS A CONTROLLED DOCUMENT.		DWN JR RUTH 7/28/94	Tyco Electronics Corporation Harrisburg, Pa 17105-3608	
DIMENSIONS: INCHES		CHK MS FEHER 7/28/94	NAME R KUZO	
TOLERANCES UNLESS OTHERWISE SPECIFIED:		APVD 7/28/94	PRODUCT SPEC HOUSING, RECEPTACLE, FASTON, 6.35 [.250] SERIES	
0 PLC ± -		APPLICATION SPEC	SIZE A2	CAGE CODE 00779
1 PLC ± -		WEIGHT	DRAWING NO C=521066	RESTRICTED TO
2 PLC ± -		CUSTOMER DRAWING	SCALE 4:1	SHEET 1 OF 1
3 PLC ± 0.25 [.010]			REV B6	
4 PLC ± -				
ANGLES ± -				
FINISH SEE TABLE				