

NOTES:

1. MATERIALS AND FINISHES:

- BODY & SHELL - STAINLESS STEEL,PASSIVATED
- CONTACT - BeCu,GOLD PLATING
- INSULATOR - PTFE,NATURAL
- GASKET - SILICONE RUBBER,RED
- RETAINER RING - SUS303,NATURAL

2. ELECTRICAL:

- A. IMPEDANCE: 50 OHM
- B. FREQUENCY RANGE: DC - 6 GHz
- C. AVERAGE INPUT POWER: 2W MAX AT +25°C  
DERATED LINEARLY TO 0.5W MAX AT +125°C
- D. ATTENUATION: XX dB ±(SEE TABLE 2D)
- E. VSWR: (SEE TABLE 2E)

3. MECHANICAL:

- A. MATING ENGAGEMENT: MIL-STD-348A,SERIES SMA
- B. ENGAGE/DISENGAGE FORCE: 2 IN-LBS MAX
- C. MATING TORQUE: 8 IN-LBS MAX
- D. COUPLING PROOF TORQUE: 15 IN-LBS MIN
- E. COUPLING NUT RETENTION: 60 LBS MIN
- F. DURABILITY: 500 CYCLES MIN.

4. ENVIRONMENTAL:

- A. OPERATING TEMPERATURE: -55°C TO +125°C
- B. THERMAL SHOCK: MIL-STD-202, METHOD 107,CONDITION B  
(EXCEPT HIGH TEMP +100°C)
- C. SHOCK: MIL-STD-202, METHOD 213,CONDITION 1
- D. VIBRATION: MIL-STD-202, METHOD 204,CONDITION 1D

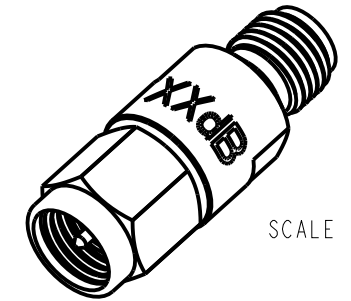
5. PACKAGING:

- A. QUANTITY: SINGLE PACK
- B. BAG TO BE MARKED: AMPHENOL RF  
ATS-IMIF-XXDB2W  
DATE CODE

THIRD ANGLE PROJ.

REVISIONS

REV	DESCRIPTION	DATE	ECO	APPR
A	RELEASE TO MFG.	12/15/14	50303	CL/BCG



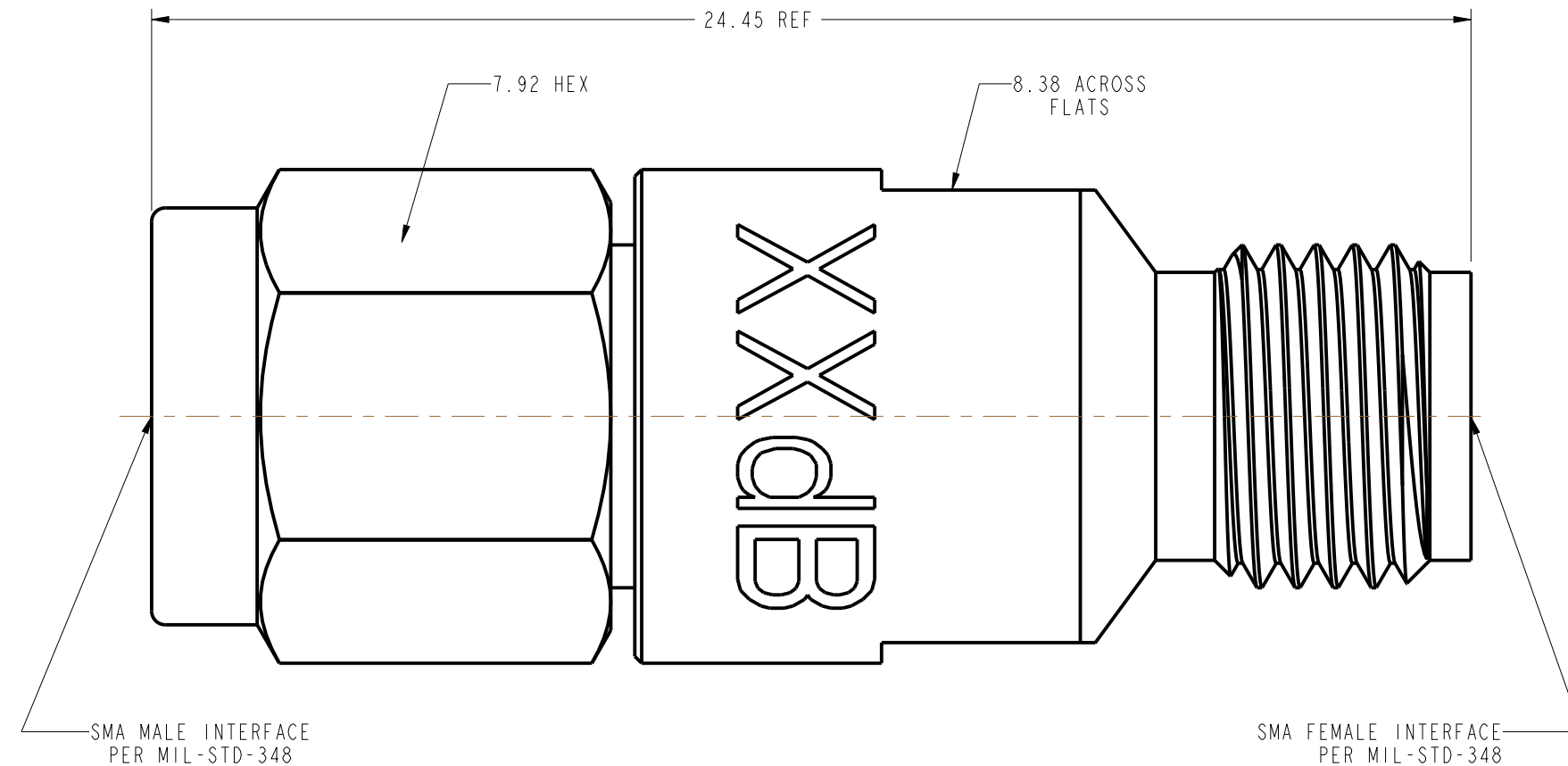
SCALE 2.000

dB	DC-4 GHz	4-6 GHz
1-3	±0.3	±0.5
4-6	±0.4	±0.5
7-10	±0.5	±0.5

TABLE 2D: ATTENUATION ACCURACY

dB	DC-2.5 GHz	2.5-4 GHz	4-6 GHz
1-3	1.15:1	1.20:1	1.25:1
4-6	1.15:1	1.20:1	1.25:1
7-10	1.15:1	1.25:1	1.30:1

TABLE 2E: VSWR MAX.



**CUSTOMER OUTLINE DRAWING**

ALL OTHER SHEETS ARE FOR INTERNAL USE ONLY

<p>UNLESS OTHERWISE SPECIFIED, DIMENSIONS ARE IN METRIC AND TOLERANCES ARE:                  &lt;0.5mm ±0.05mm    0.5 - 6mm ±0.1mm    6 - 30mm ±0.2mm    30 - 120mm ±0.3mm    ANGLES ±1°</p> <p>NOTICE - These drawings, specifications, or other data (1) are, and remain the property of Amphenol corp. (2) must be returned upon request; and (3) are confidential and not to be disclosed to any person other than those to whom they are given by Amphenol Corp. the furnishing of these drawings, specifications, or other data by Amphenol Corp., or to any other person to anyone for any purpose is not to be regarded by implication or otherwise in any manner licensing, granting rights to permitting such holder or any other person to manufacture, use or sell any product, process or design, patented or otherwise, that may in any way be related to or disclosed by said drawings, specifications, or other data.</p>	MATERIAL SEE NOTES	DRAWN CLEMENT	DATE 10-Nov-14	TITLE SMA STR PLUG TO JACK FIXED ATTENUATOR	Amphenol RF www.amphenolrf.com	
	REFERENCE EAR # 6465	ENGINEER B.GLEISSNER	DATE 10-Nov-14			
	CONFIGURATION LEVEL: In Work	APPROVED K. CAPOZZI	DATE 12/11/14	SCALE: 8.0:1.0	SHEET 2 OF 2	DRAWING NO.ATS-IMIF-XXDB2W
	FINISH	CAD FILE	DWG SIZE B	REV A	ITEM NO.ATS-IMIF-XXDB2W	PART NO.ATS-IMIF-XXDB2W